



IF PARTS ARE MISSING AND OR DEFECTIVE, IF INSTRUCTIONS ARE NOT CLEAR
OR IF YOU ARE EXPERIENCING PROBLEMS ASSEMBLING OUR PRODUCT.

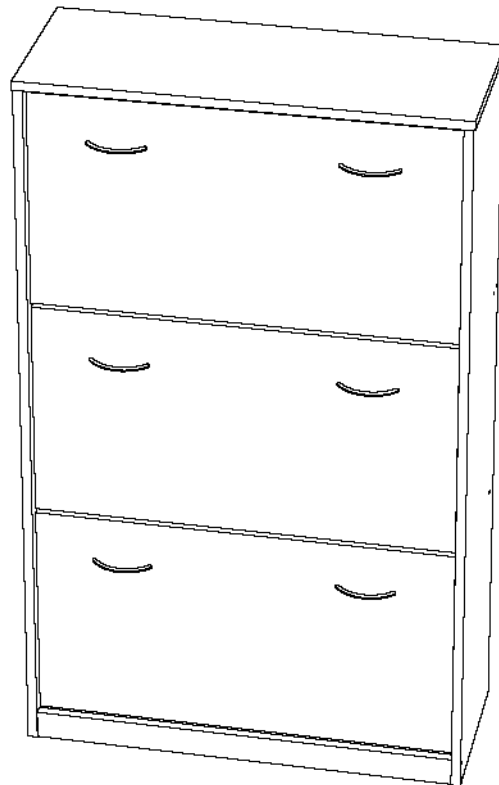
**BEFORE YOU RETURN THE PRODUCT TO THE STORE,
PLEASE CALL US TOLL FREE FOR CUSTOMER SERVICE ASSISTANCE**

(888) 777-8250


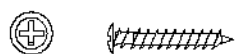
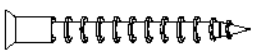
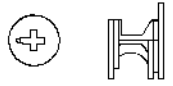
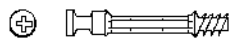


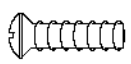

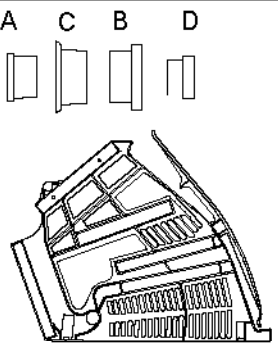
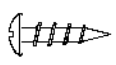
OR SEND US EMAIL AT

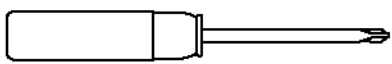
help@spartakent.com

PLEASE HAVE ITEM NUMBER READY, AND A REPRESENTATIVE WILL GLADLY ASSIST YOU



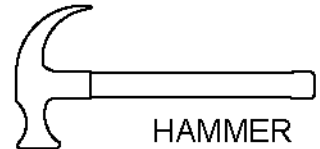
HARDWARE LIST

HARDWARE	PART #	DESCRIPTION	QTY
	PUPL128WH	PLASTIC PULL	6
	SP825BL	#8 X 1" PAN HEAD SCREW	12
	SFH833A	#8 X 33 WOOD SCREW	12
	CAMLT12	CAMLOCK	32
	CAMBT12	BOLT	32
	DOWW525	WOOD DOWEL	4
	SPE610BL	SHORT EURO SCREW	6
	SPE616Z	LONG EURO SCREW	6
	NAIL1734	NAIL	60
<div style="display: flex; justify-content: space-around; font-size: small;"> A C B D </div> 	SHRKWH	SHOE RACK WHITE (components A, B, C, D come attached to the body of plastic rack. Please separate them before proceeding with assembly.)	6
	SP816BL	#8x 5/8-PAN HEAD SCREW	12



PHILLIPS SCREWDRIVER

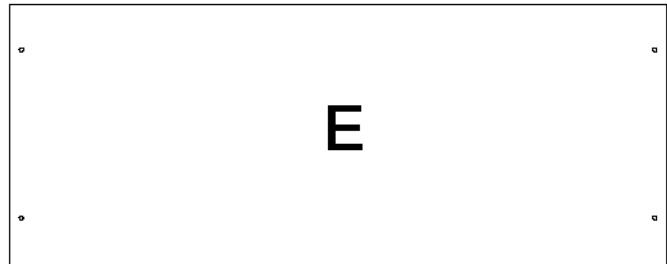
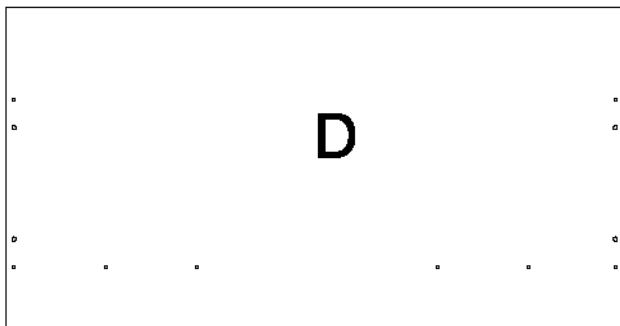
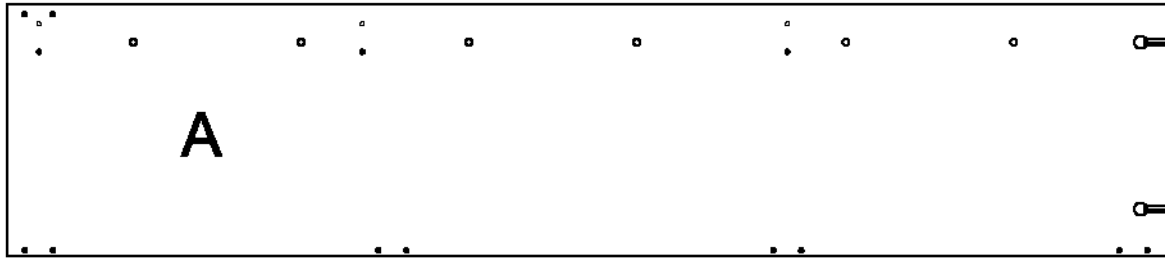
TOOL REQUIRED



HAMMER

PARTS IDENTIFICATION

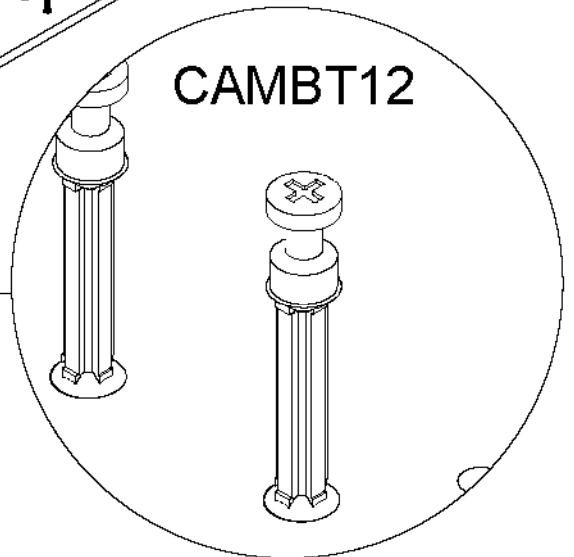
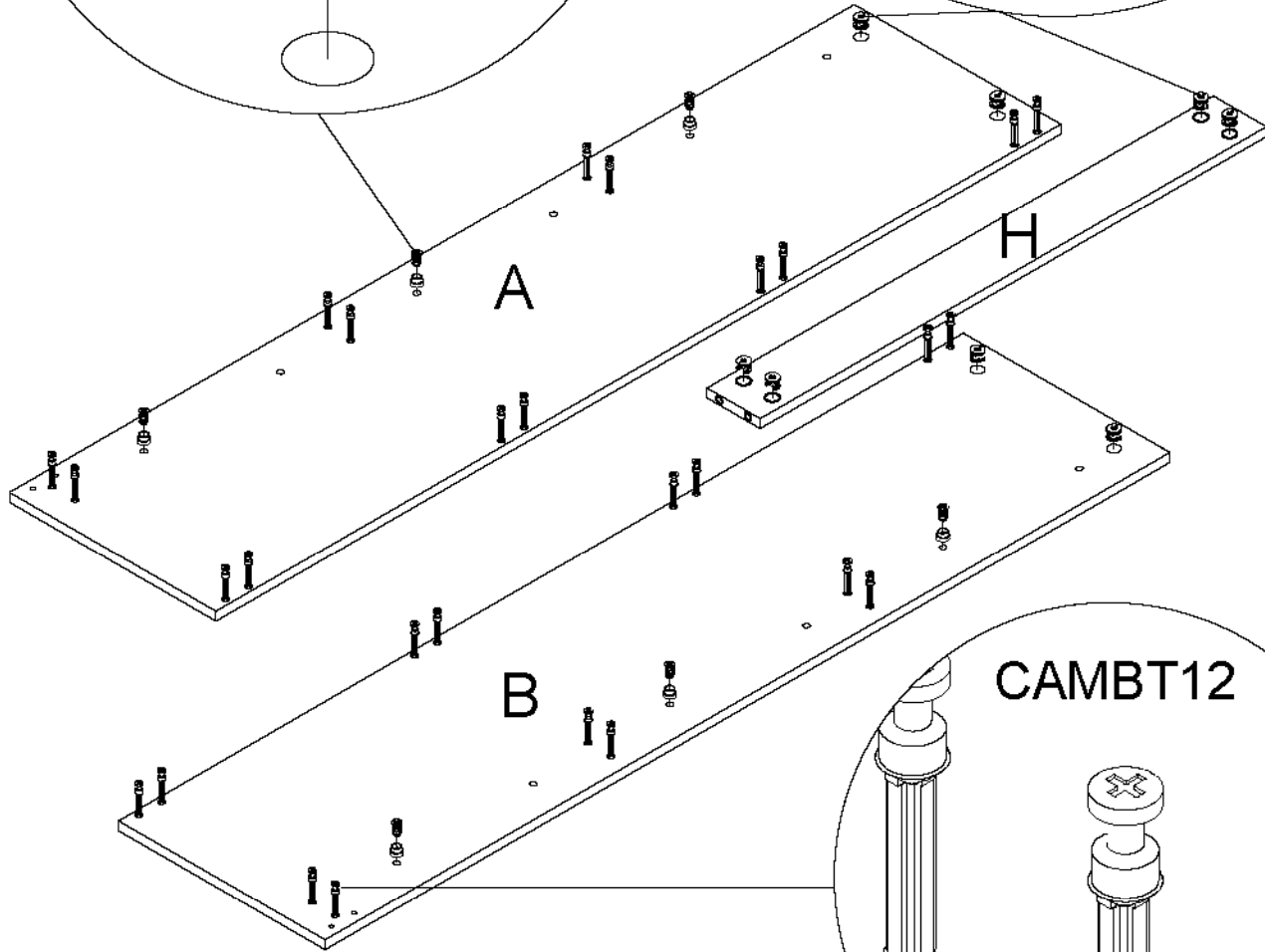
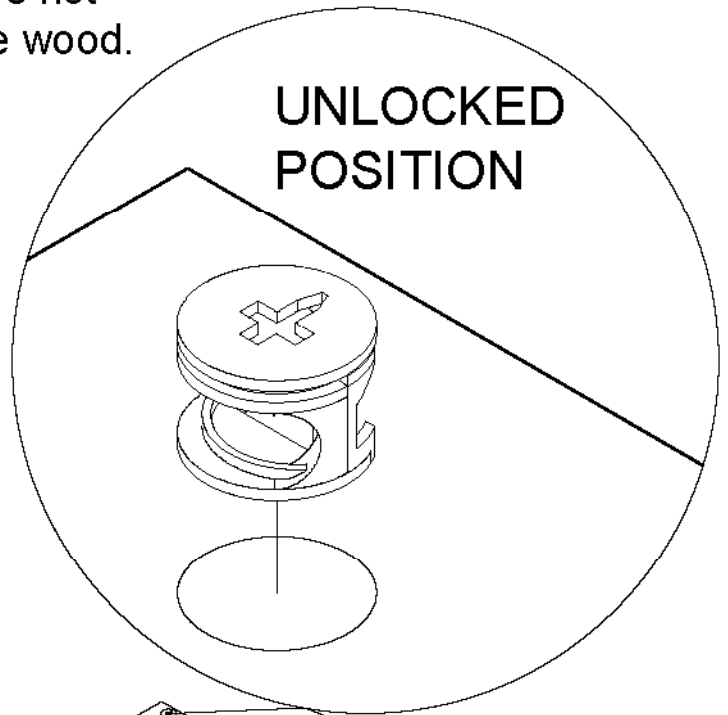
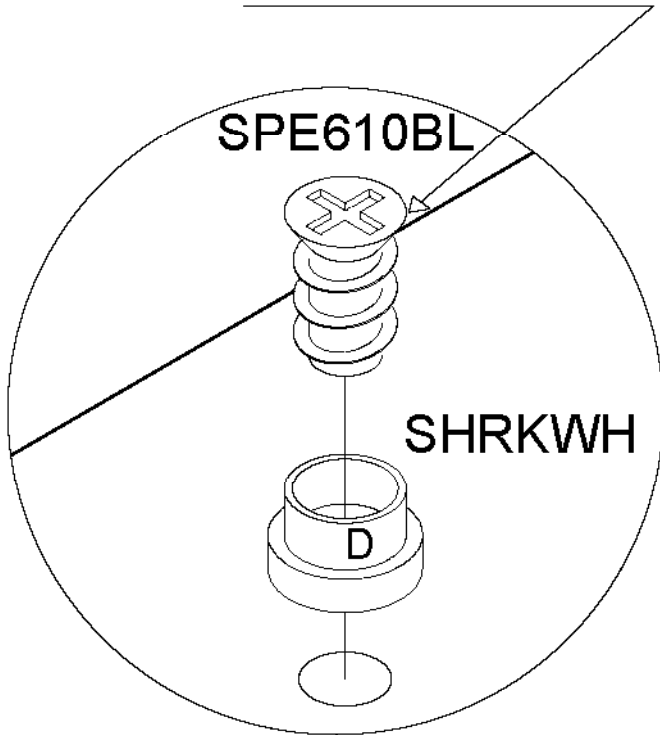
NOTE: FIRST MAKE SURE THAT YOU HAVE ALL OF THE PARTS LISTED ON THIS SHEET. IF YOU ARE MISSING ANY PIECE(S), DO NOT ASSEMBLE THE UNIT. INSTEAD, CALL CUSTOMER SERVICE NUMBER AT: (888) 777-8250. WE WILL BE HAPPY TO ASSIST YOU.



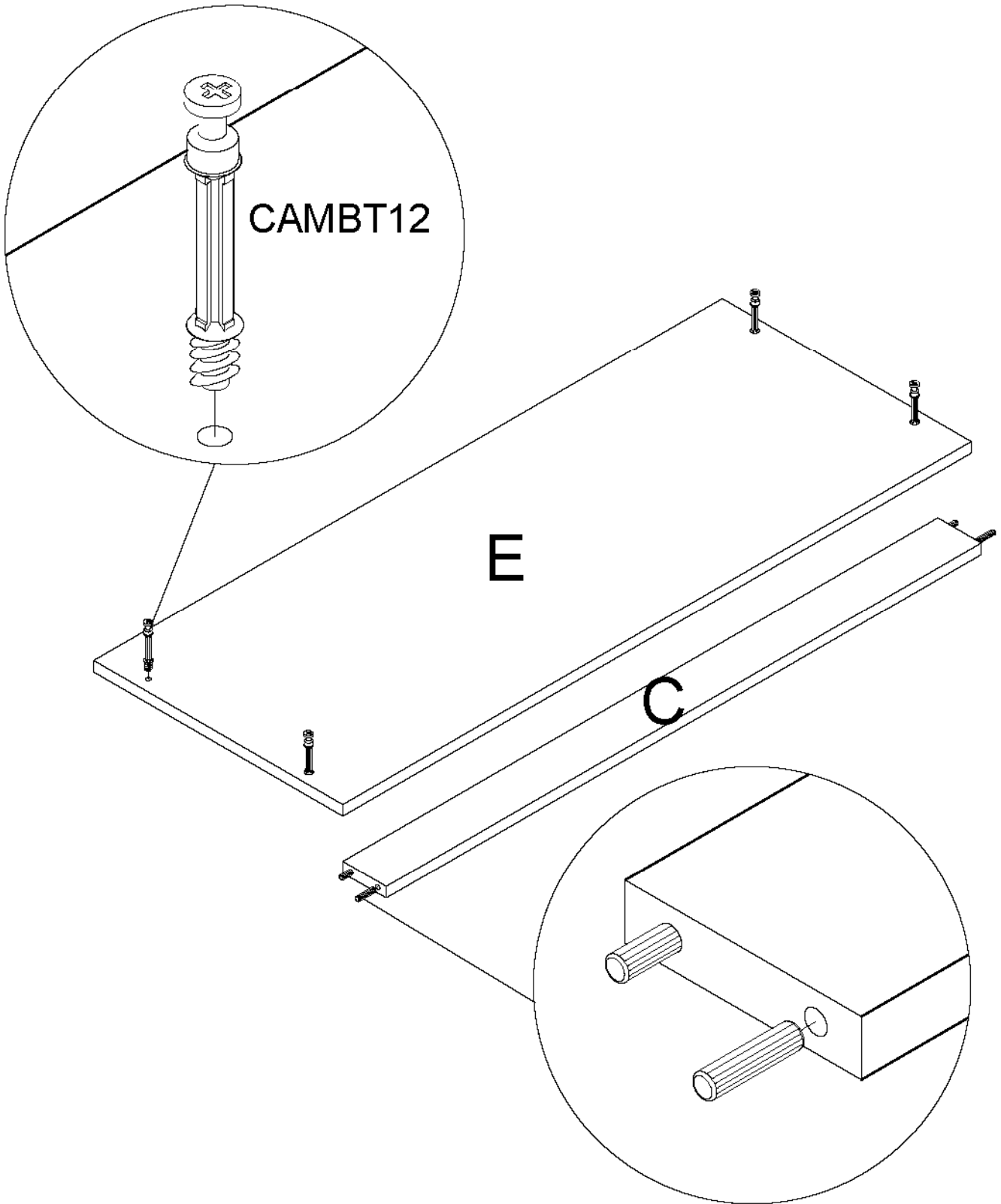
4241A-Left Panel	1pc	4221F-Divider	9pcs
4241B-Right Panel	1pc	4221G-Back Panel	3pcs
4221C-Kick Plate	1pc	4221H-Stretcher	7pcs
4221D-Door	3pcs	4221K-Back Divider	3pcs
4221E-Top Panel	1pc		

1

Do not use power drill. Make sure not overtighten to avoid stripping the wood.



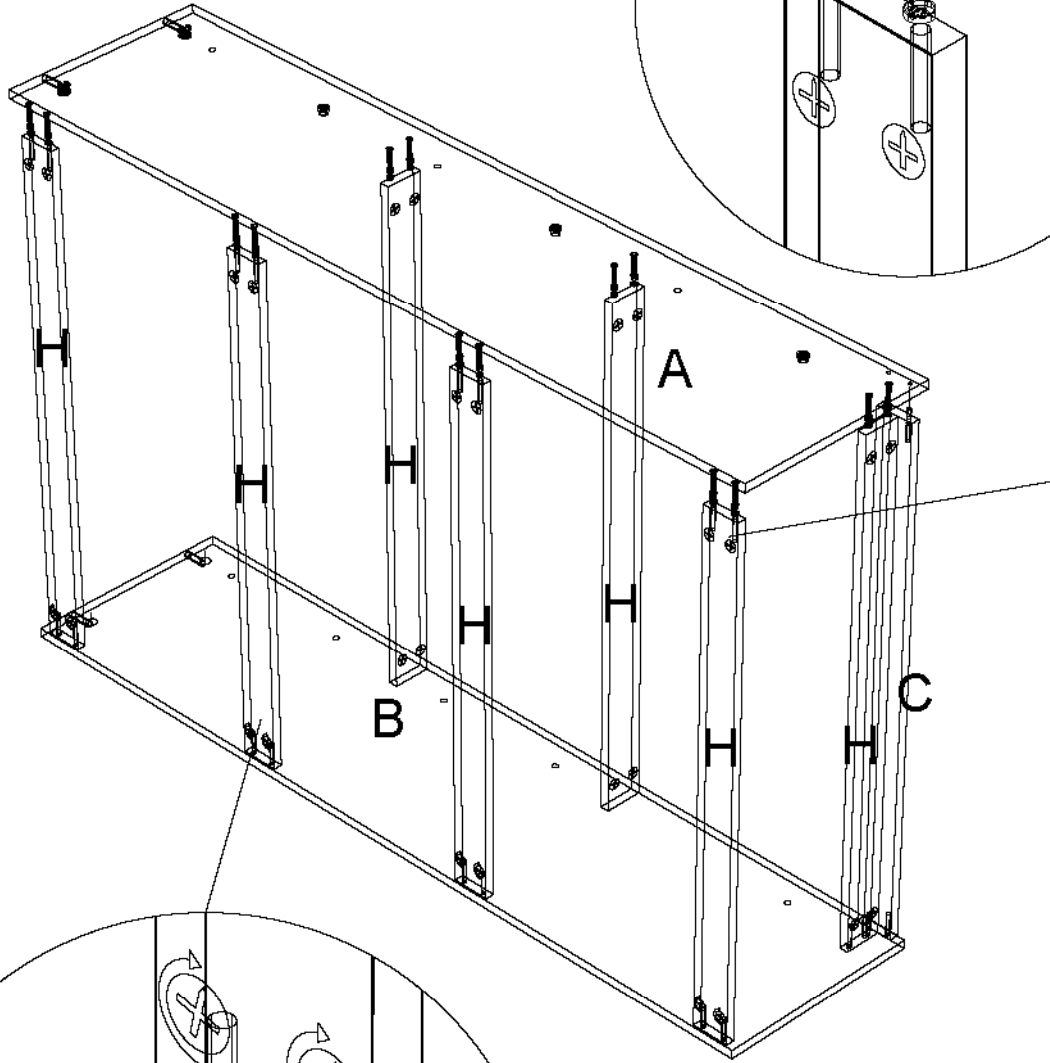
2



NOTE: Make sure the wood dowels go in as far as possible. They should stick out no more than 3/8 of an inch.

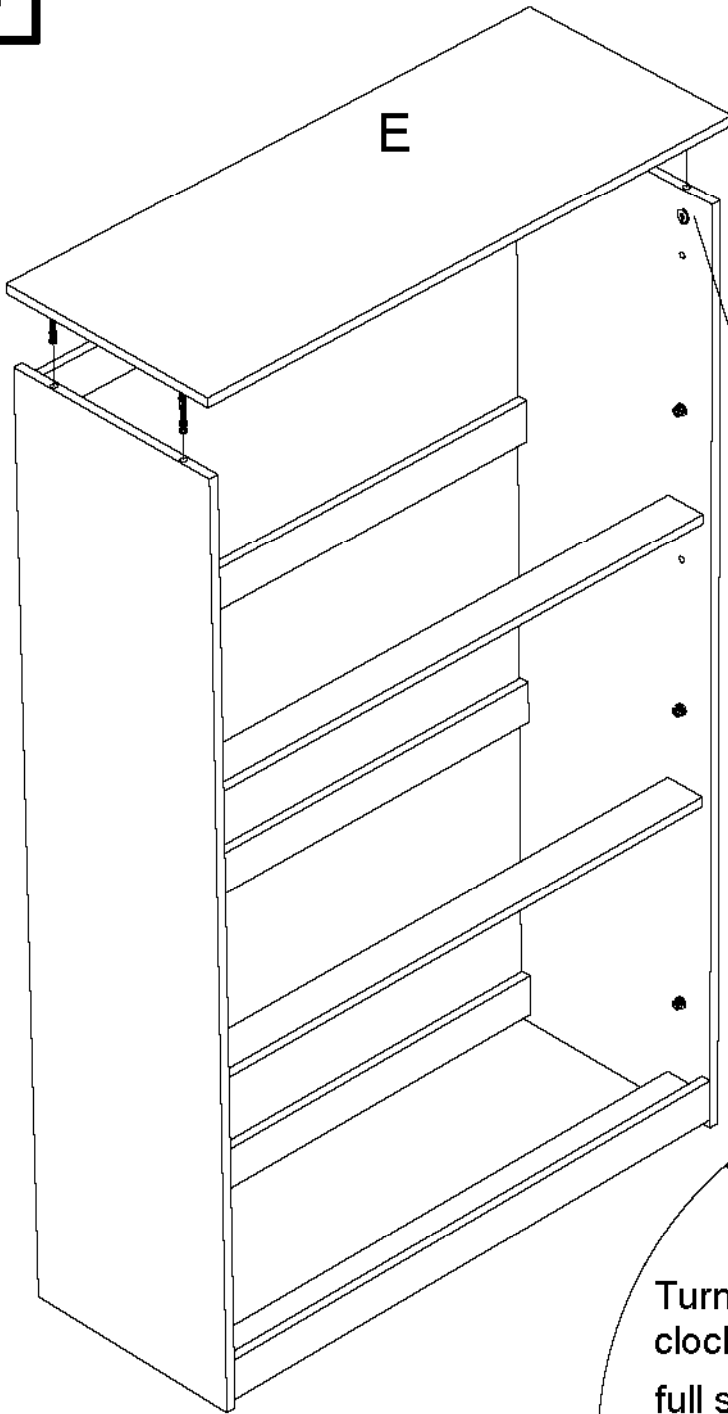
3

Install stretchers H and C on Right Upright B and lock all camlocks. Next align the Left Upright A over the assembly and lock all camlocks.



Turn camlocks clockwise until full stop (slightly over $\frac{1}{2}$ a turn to lock the bolt)

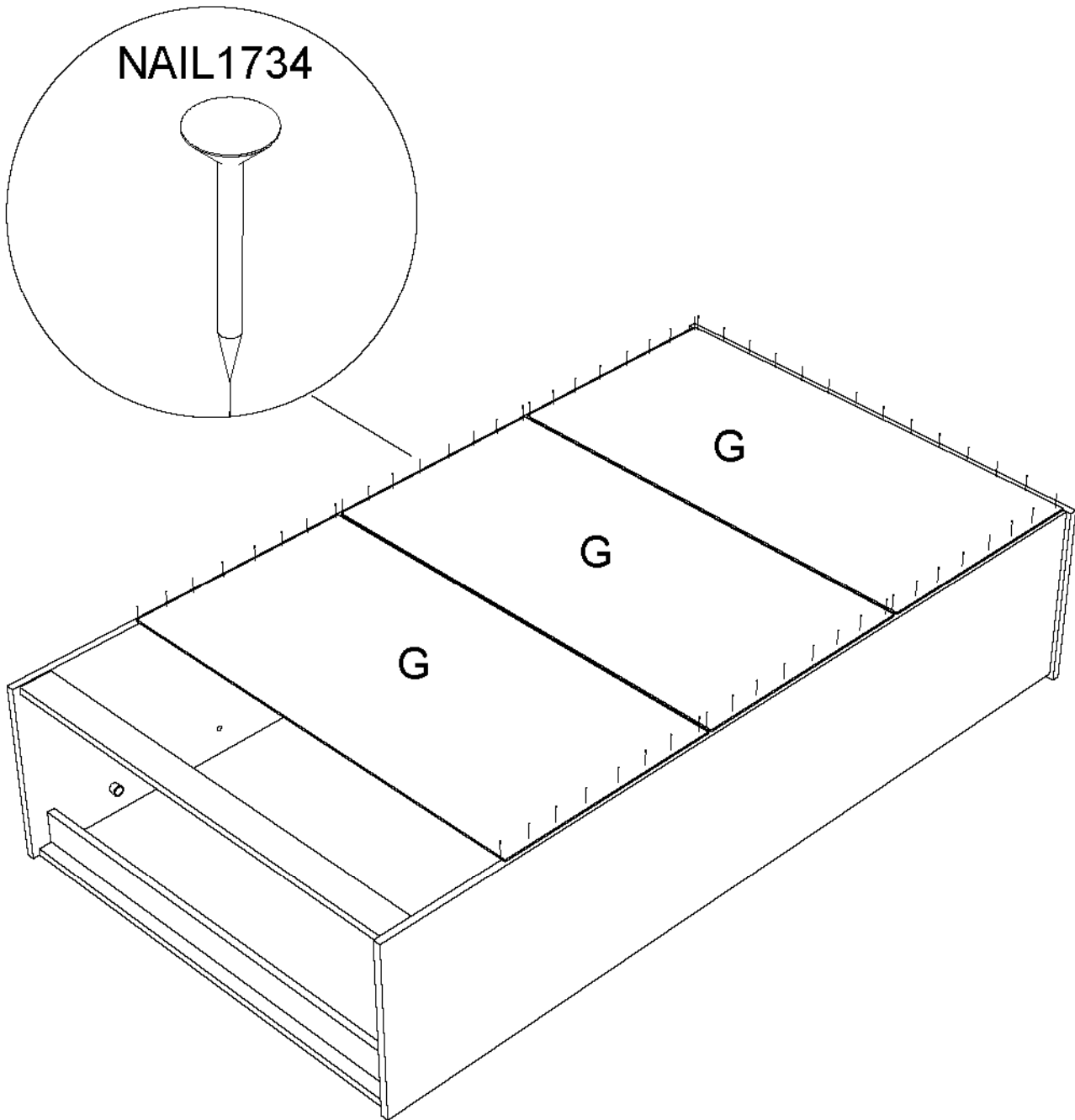
4



Turn camlocks
clockwise until
full stop (slightly over $\frac{1}{2}$ a
turn to lock the bolt)

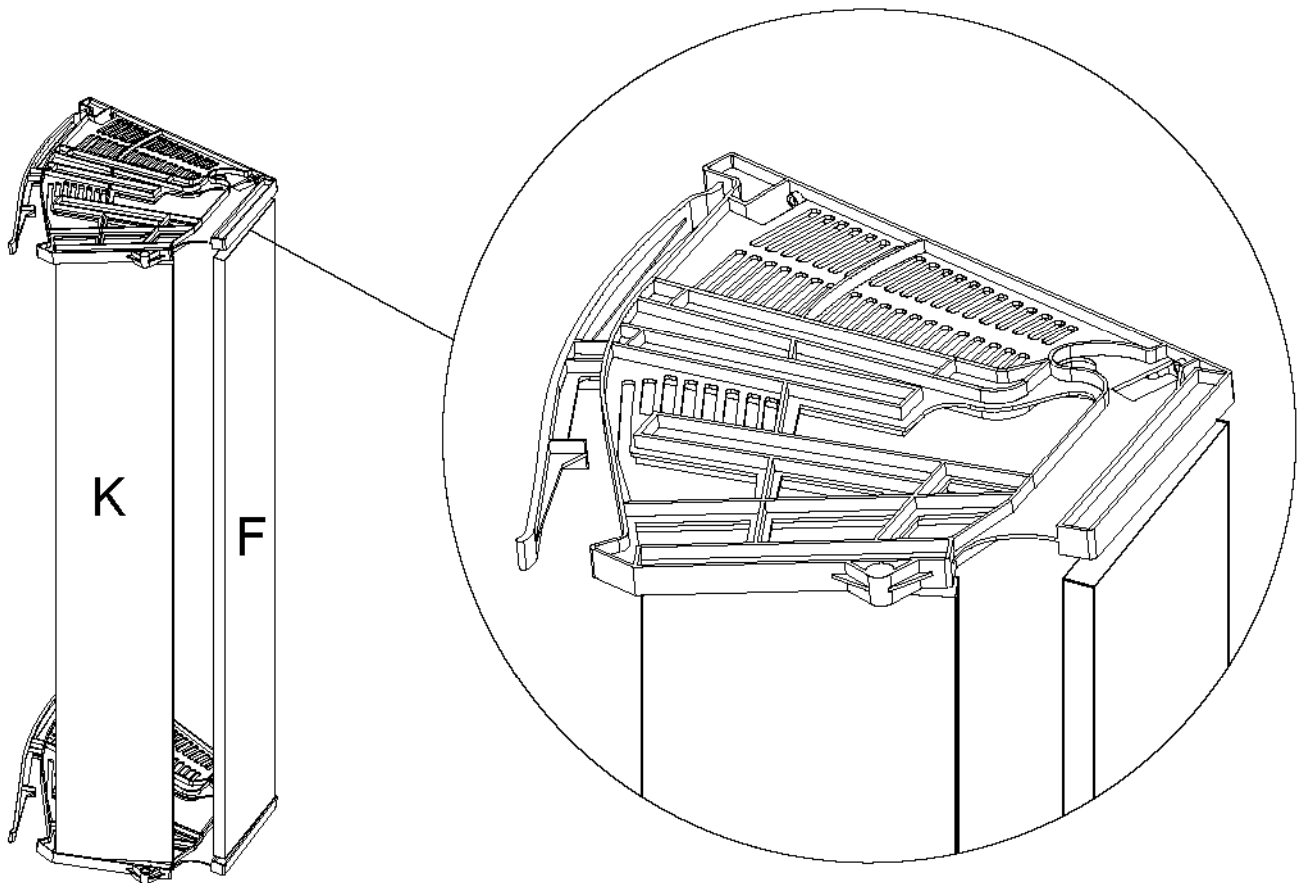
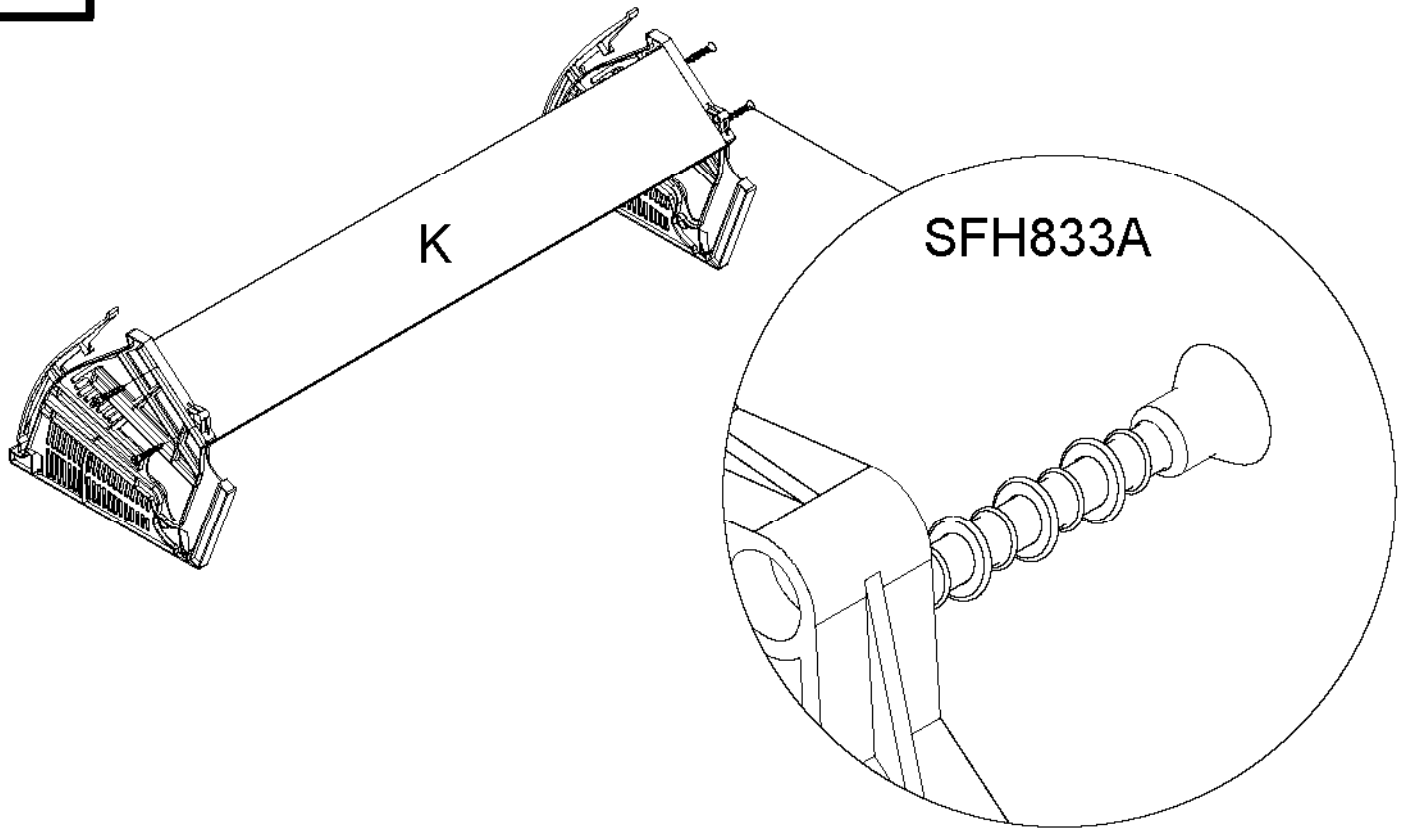


5



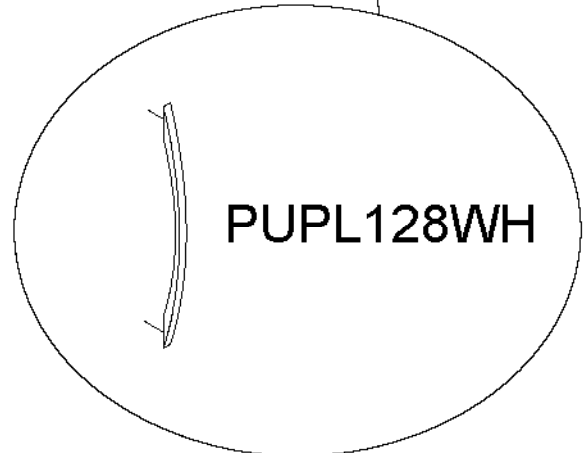
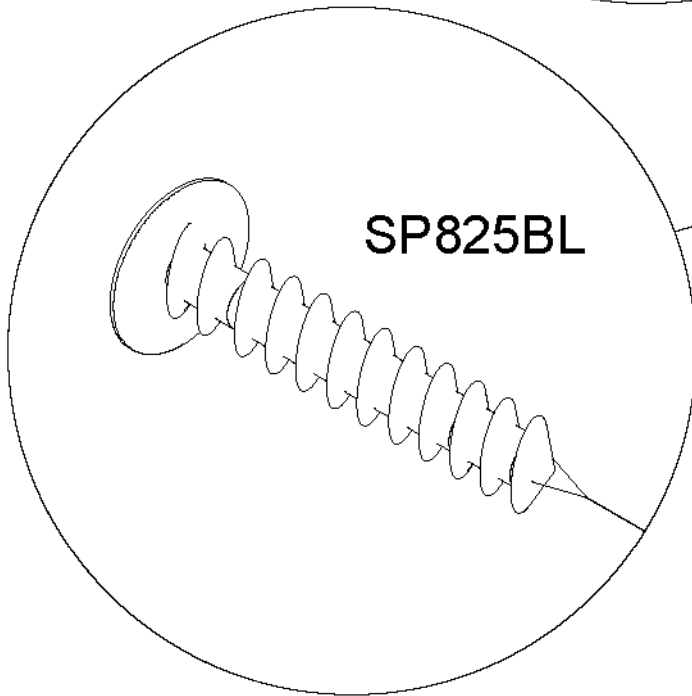
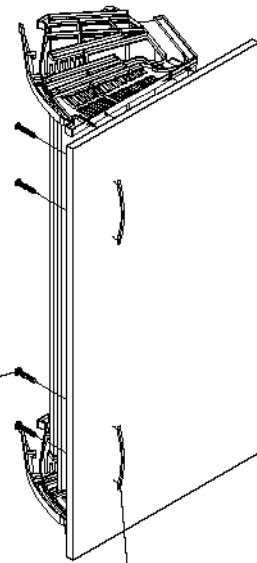
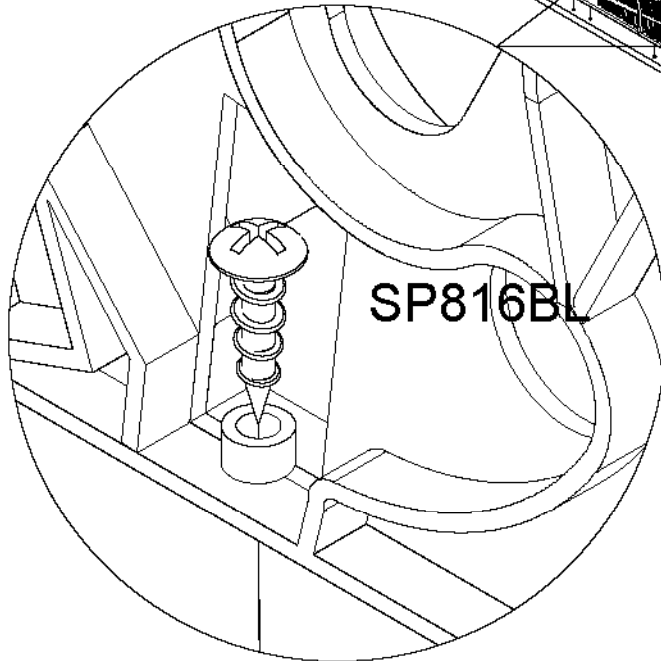
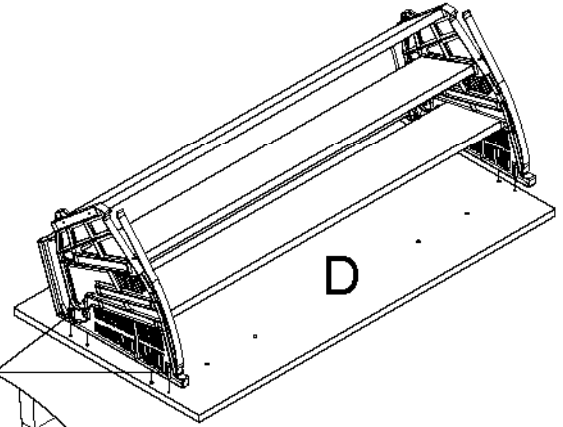
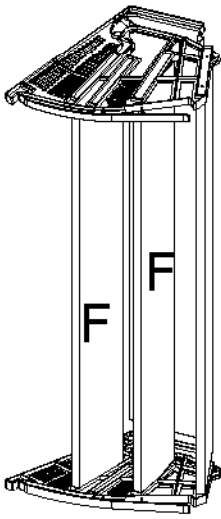
Place the unit face down. Align the back panel (G) over the top and back edges of the unit. Make sure the assembly is square and leave equal amount of margin all around. Tack the two opposing corners of the back panel down first using nails as shown, then the other two. Next, nail the back panel all around with approximately 2" spacing between the nails. Make sure to keep the nails centered on the edges to avoid splitting of the boards.

6

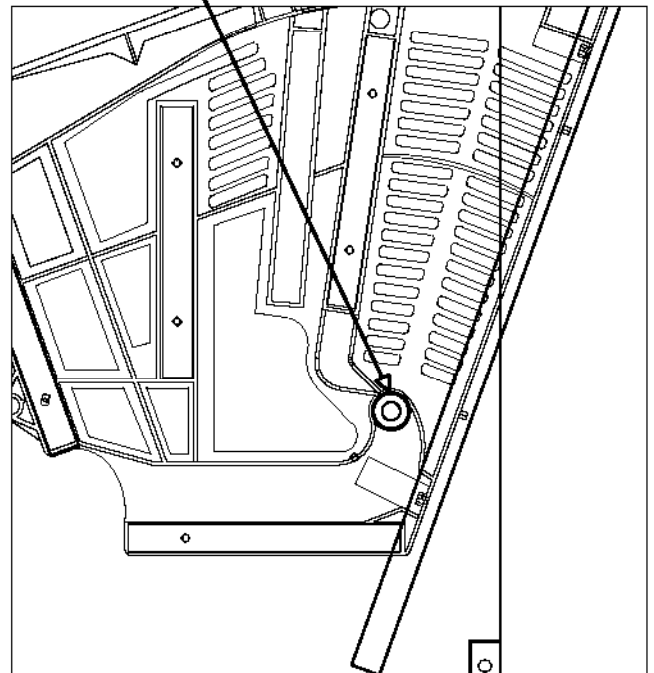
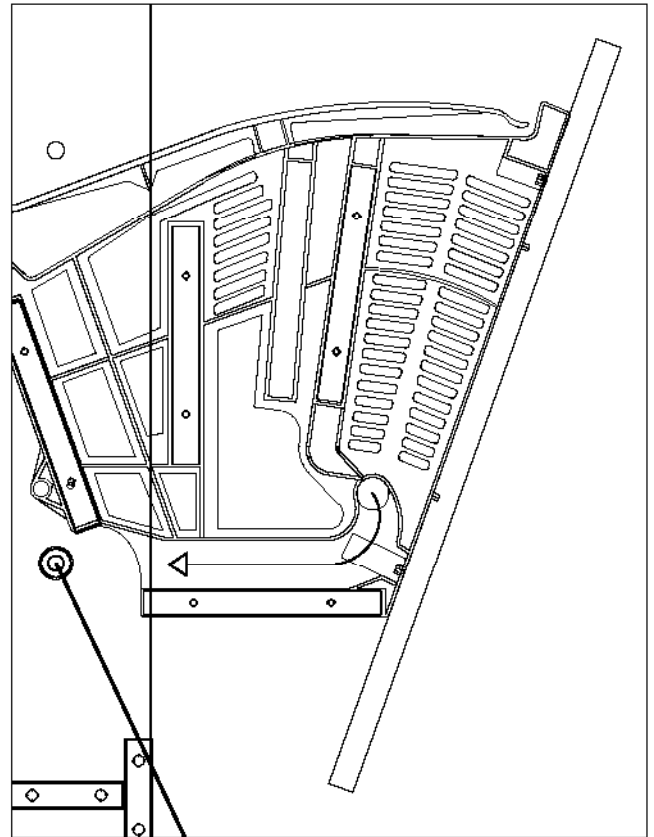
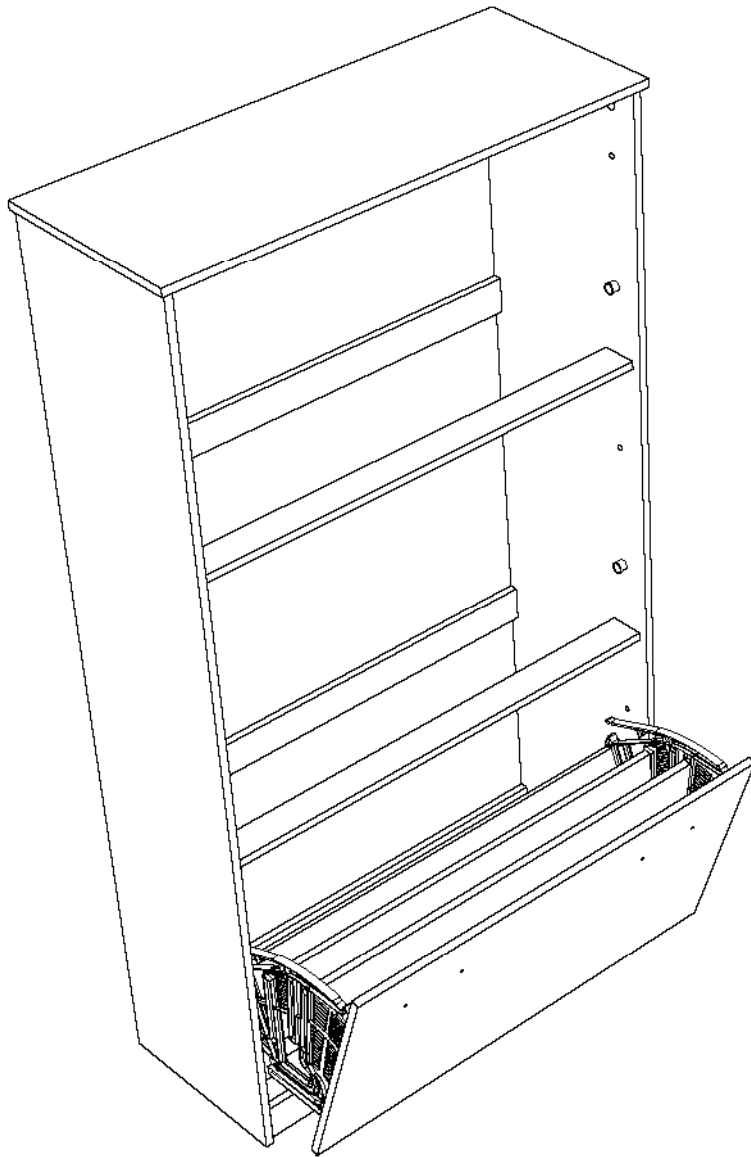


7

Choose which slots to use for dividers at your option. Should you wish you can eliminate one divider or even both of them.



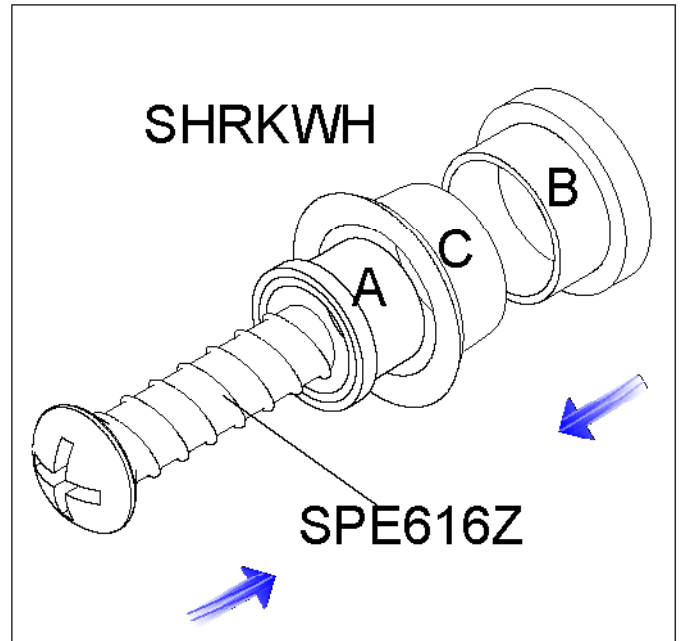
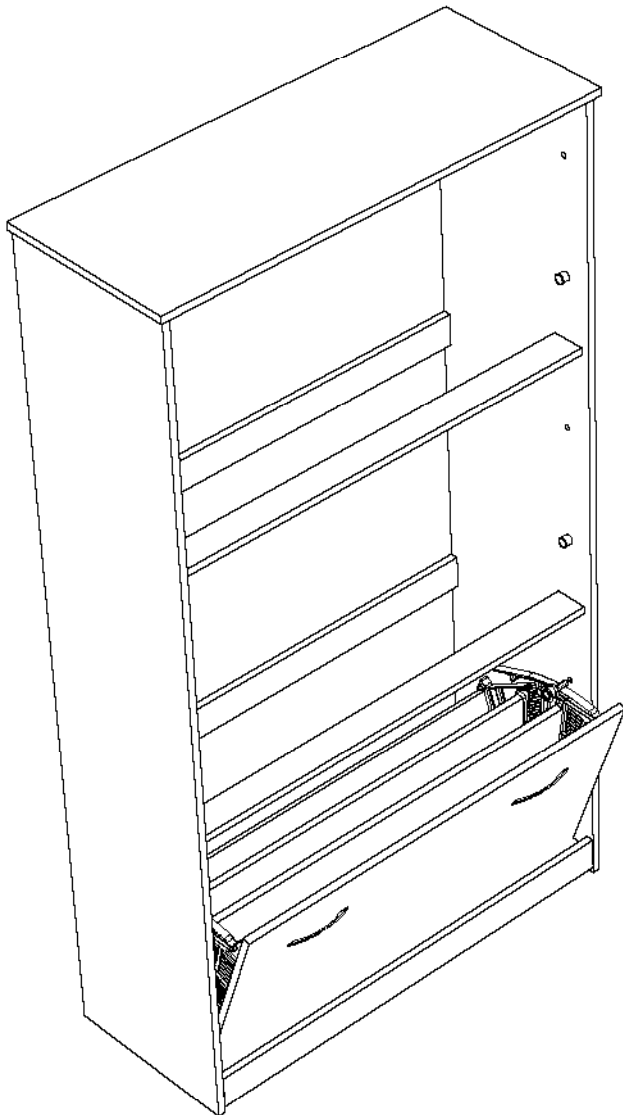
8



Align the door/shoe rack assembly, tilting it slightly, as shown in the expended view. Pushing slightly inwards on the sides of the plastic shoe rack with both hands, line up both sides of the plastic shoe rack with Part D. Insert and push the door assembly on Part D on both sides simultaneously, using the channel provided on the plastic shoe rack. See the arrow on the diagram to locate the channel/groove. If both sides are inserted correctly, the assembly will drop slightly downwards.

9

Once the door/show rack has been installed, you will need to assemble A, C, & B which acts as a runner for the racks. Insert A into C. Part A should leave a $\frac{1}{2}$ " gap between the lip of C & A. Next, push together B to the protruding portion of A.



At this point, insert screw through assembled A, B, & C. At least $\frac{1}{2}$ " of the screw should be exposed at the end of B. Open door half way and insert assembled A, B, & C on to hole on side panels. Screw the assembled runner tightly to the side panels. The shoe rack should roll smoothly on the runner.

