

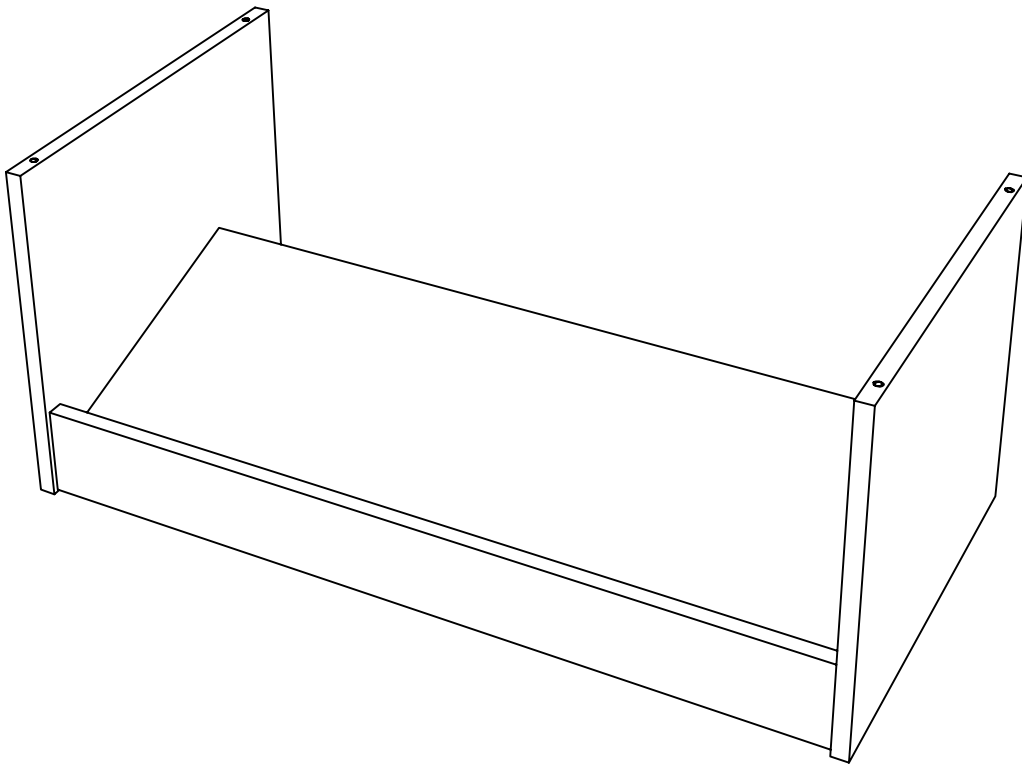


IF PARTS ARE MISSING AND OR DEFECTIVE, IF INSTRUCTIONS ARE NOT CLEAR  
OR IF YOU ARE EXPERIENCING PROBLEMS ASSEMBLING OUR PRODUCT.

**BEFORE YOU RETURN THE PRODUCT TO THE STORE,  
PLEASE CALL US TOLL FREE FOR CUSTOMER SERVICE ASSISTANCE  
(888) 777-8250**

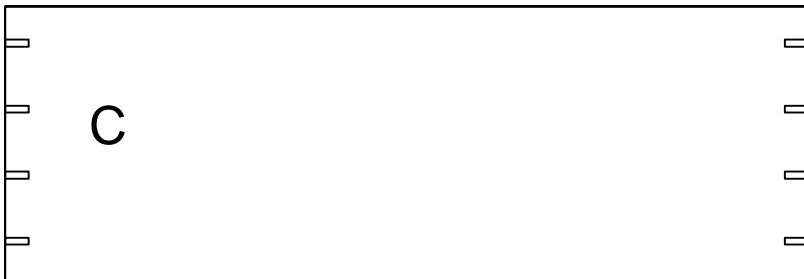
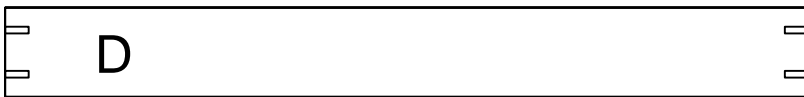
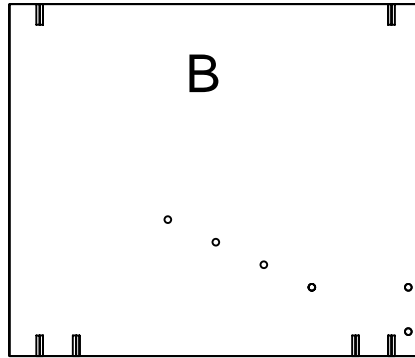
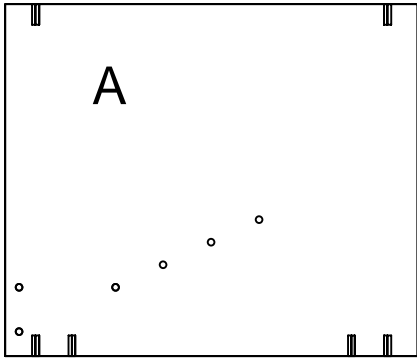
**OR SEND US EMAIL AT  
help@spartakent.com**

PLEASE HAVE ITEM NUMBER READY, AND A REPRESENTATIVE WILL GLADLY ASSIST YOU





# PARTS IDENTIFICATION

NOTE: FIRST MAKE SURE THAT YOU HAVE ALL OF THE PARTS LISTED ON THIS SHEET. IF YOU ARE MISSING ANY PIECE(S), DO NOT ASSEMBLE THE UNIT. INSTEAD, CALL OUR CUSTOMER SERVICE NUMBER AT: (888) 777-8250. WE WILL BE HAPPY TO ASSIST YOU.



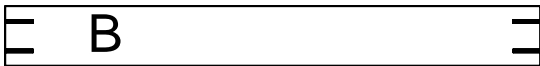
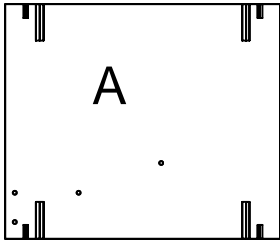
- 4215A-Left Side 1pc
- 4215B-Right Side 1pc
- 4215C-Shelf 1pc
- 4215D-Rail 1pc

## HARDWARE LIST

HARDWARE	PART #	DESCRIPTION	QTY
	DOWW525	WOOD DOWEL	16
	GLUEWD	GLUE	1




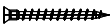
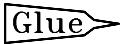
# PARTS IDENTIFICATION

NOTE: FIRST MAKE SURE THAT YOU HAVE ALL OF THE PARTS LISTED ON THIS SHEET. IF YOU ARE MISSING ANY PIECE(S), DO NOT ASSEMBLE THE UNIT. INSTEAD, CALL OUR CUSTOMER SERVICE NUMBER AT: (888) 777-8250. WE WILL BE HAPPY TO ASSIST YOU.

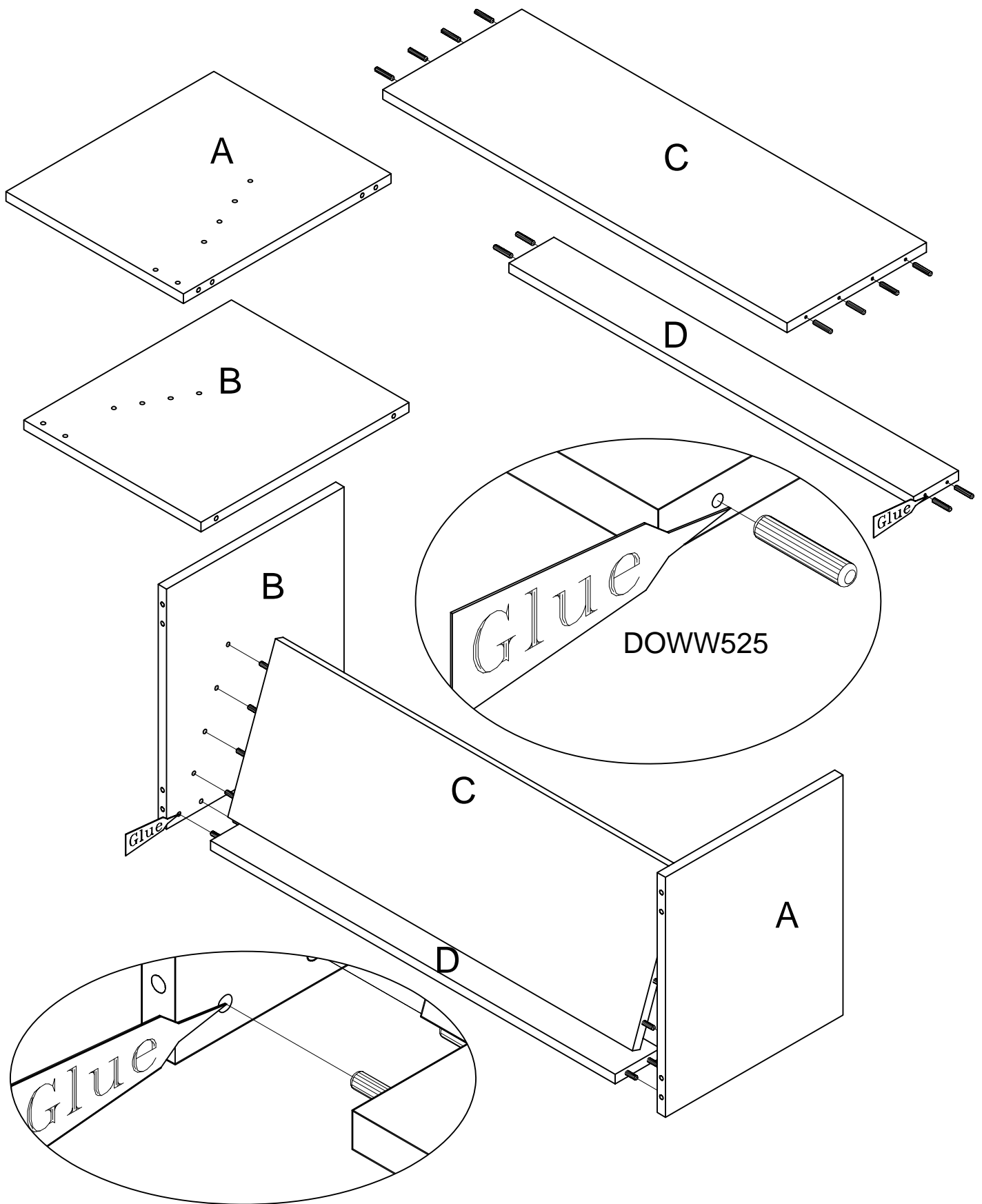


A-Side	2pcs
B-Rail	1pc
C-Shelf	1pc
D-Top	1pc

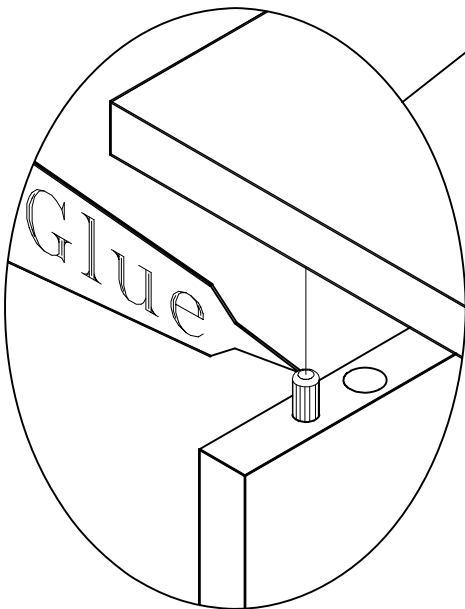
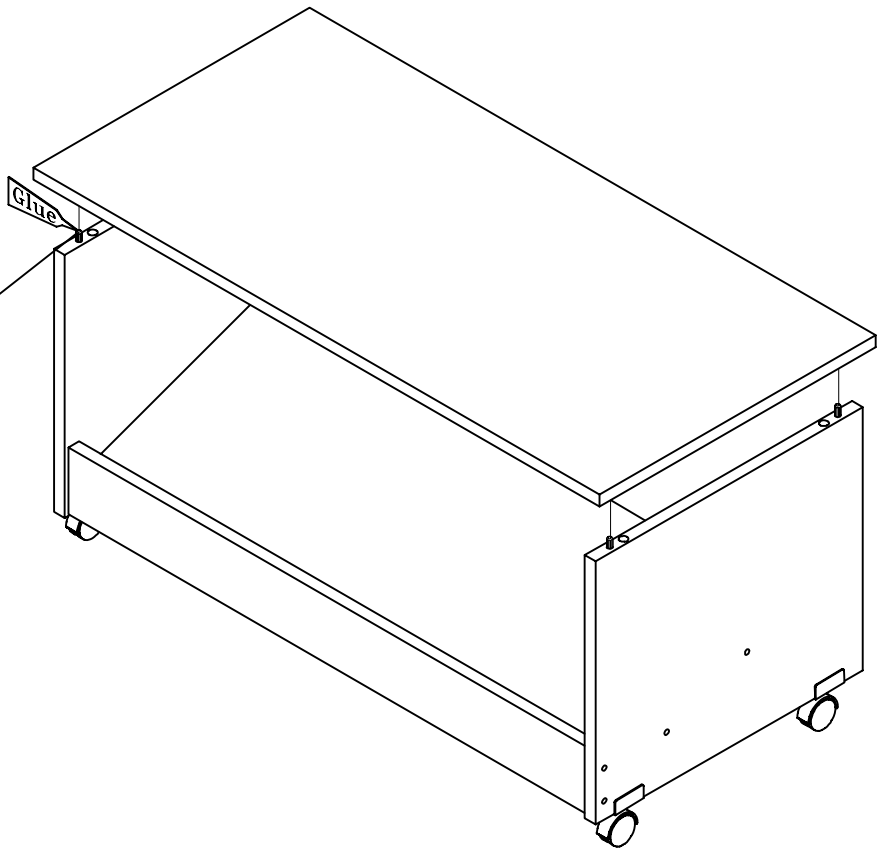
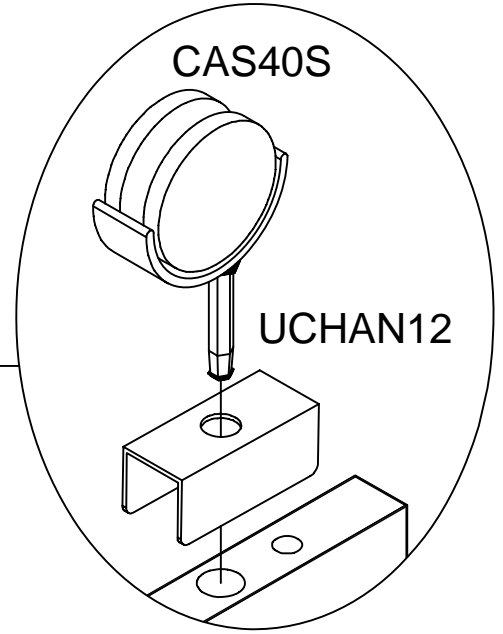
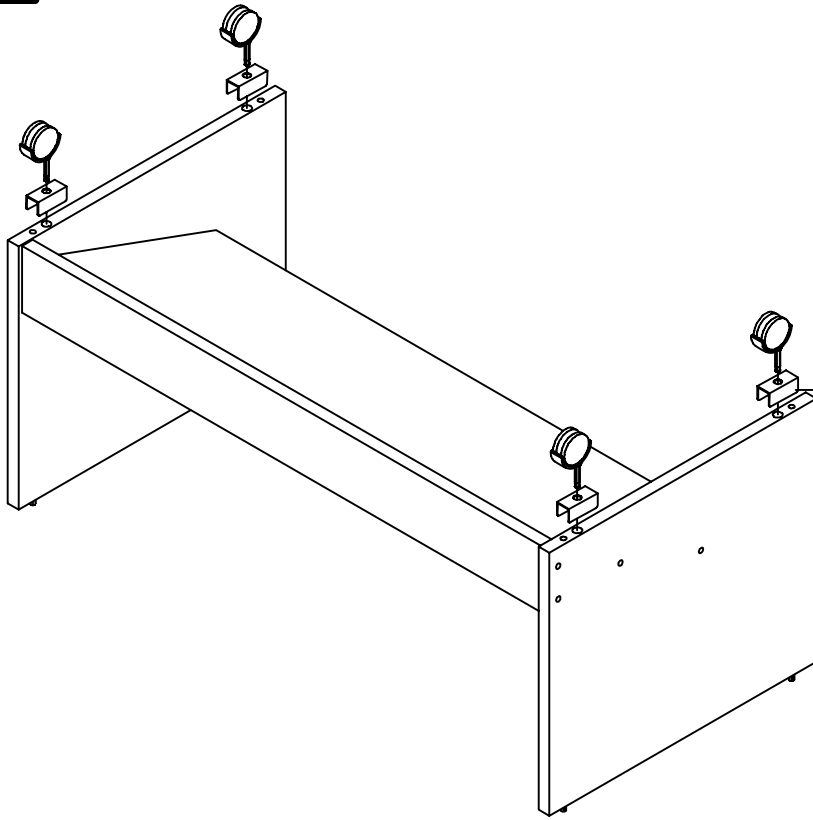
## HARDWARE LIST

HARDWARE	PART #	DESCRIPTION	QTY
	CAS40S	40MM CASTER	4
	UCHAN12	U-CHANNEL	4
	DOWW525	WOOD DOWEL	4
	SFH845A	WOOD SCREW	8
	GLUEWD	GLUE	1

**1** NOTE: Make sure the dowels go in as far as possible. They should stick out no more than 3/8 of an inch.

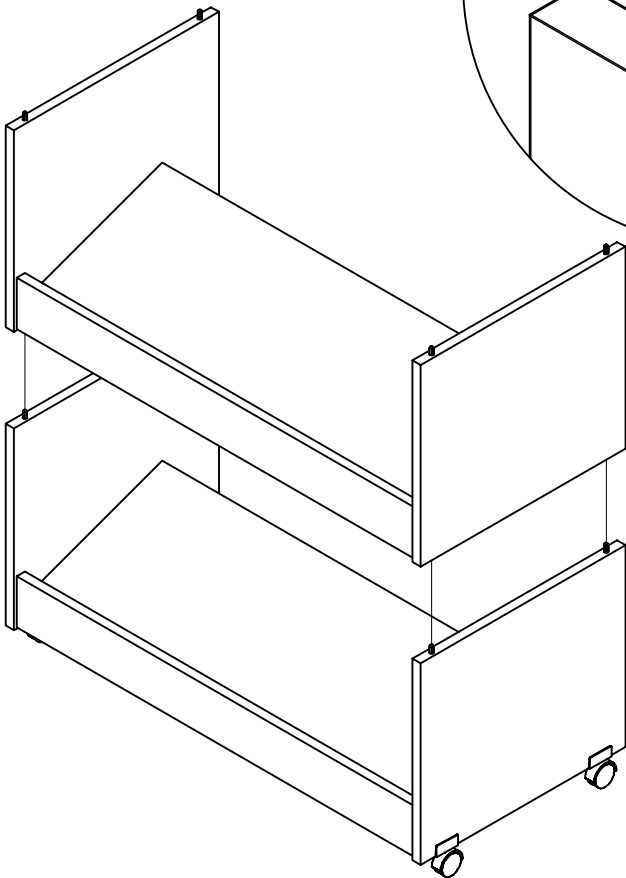
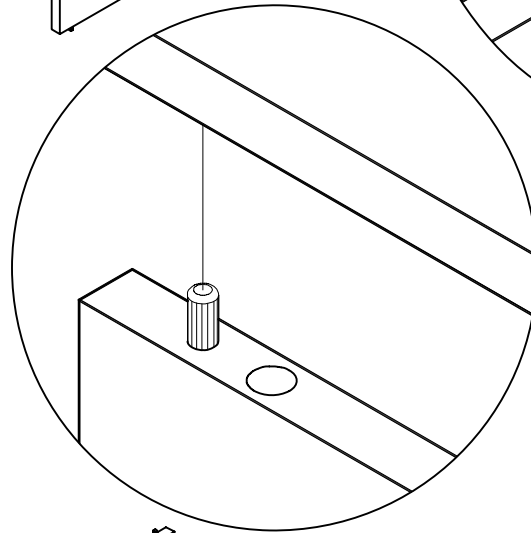
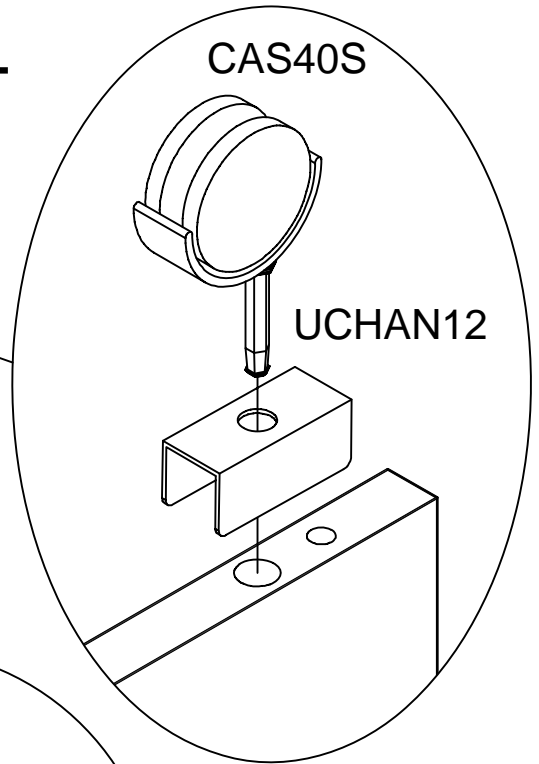
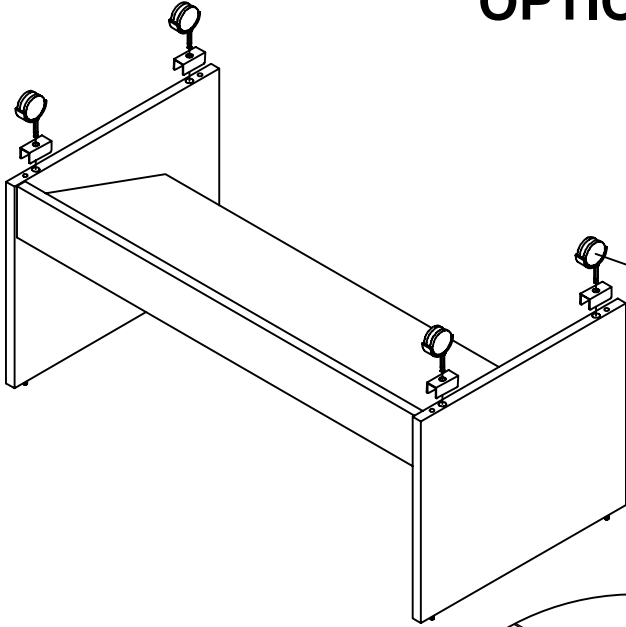


2



2

OPTIONAL



OPTIONAL

