

# SPARTAK ENTERPRISES, INC.



MEDIA TOWER  
Model #2032-21BL

LOT #2569

IF PARTS ARE MISSING AND OR DEFECTIVE, IF INSTRUCTIONS ARE NOT CLEAR  
OR IF YOU ARE EXPERIENCING PROBLEMS ASSEMBLING OUR PRODUCT.

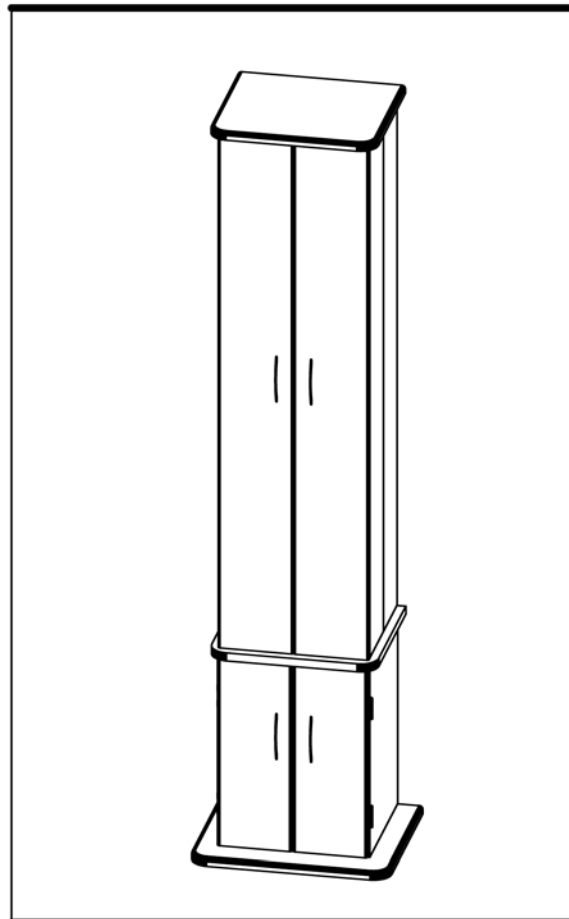
**BEFORE YOU RETURN THE PRODUCT TO THE STORE,  
PLEASE CALL US TOLL FREE FOR CUSTOMER SERVICE ASSISTANCE**

**(888) 777-8250**



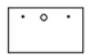











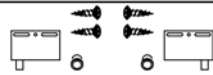




**OR SEND US EMAIL AT**

**help@spartakent.com**

PLEASE HAVE ITEM NUMBER READY, AND A REPRESENTATIVE WILL GLADLY ASSIST YOU



# HARDWARE LIST

HARDWARE	HARDWARE	DESCRIPTION	QTY
	MAGDBBL	DOUBLE MAGNET	2
	SP816BL	PAN HEAD SCREW	4
	STPLTBL	MAGNETIC PLATE	4
	SF612Z	FLAT HEAD SCREW	4
	SFH845A	WOOD SCREW	8
	PUPL128BL	HANDLE	4
	SP832BL	HANDLE SCREW	8
	SHBRBL	SHELF BRACKET	10
	SHRTBL145	SHELF RETAINER CLIP	10
	CAMLT12	CAMLOCK	20
	CAMBT12	BOLT	20
	DOWW525	WOOD DOWEL	32
	NAIL1434	NAIL	60
	SP811BL	PAN HEAD SCREW	36
	PHWDL	HINGE KIT	2
	HIN50SW	HINGE	4
	SCBLS	SCREW COVER CAP	2
	CCPZBL	CAMLOCK COVER CAP	20
	BPBL5	SHELF SUPPORT	12

## TOOLS REQUIRED



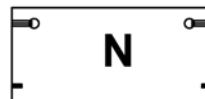
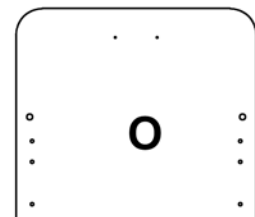
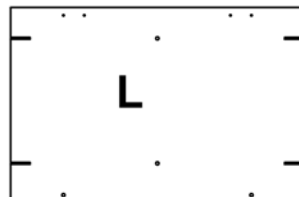
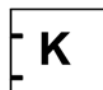
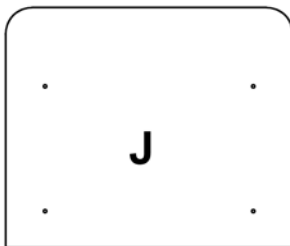
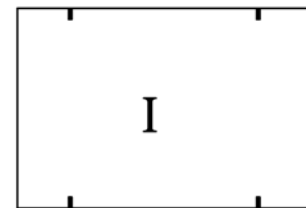
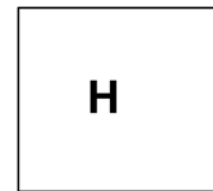
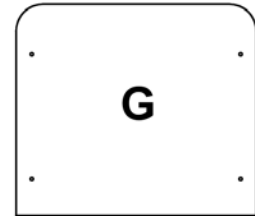
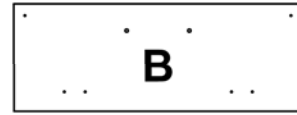
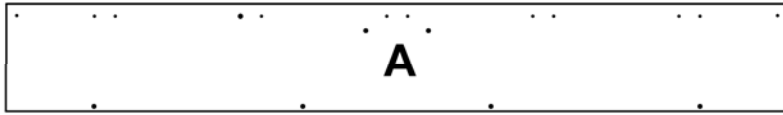
PHILLIPS SCREWDRIVER



HAMMER

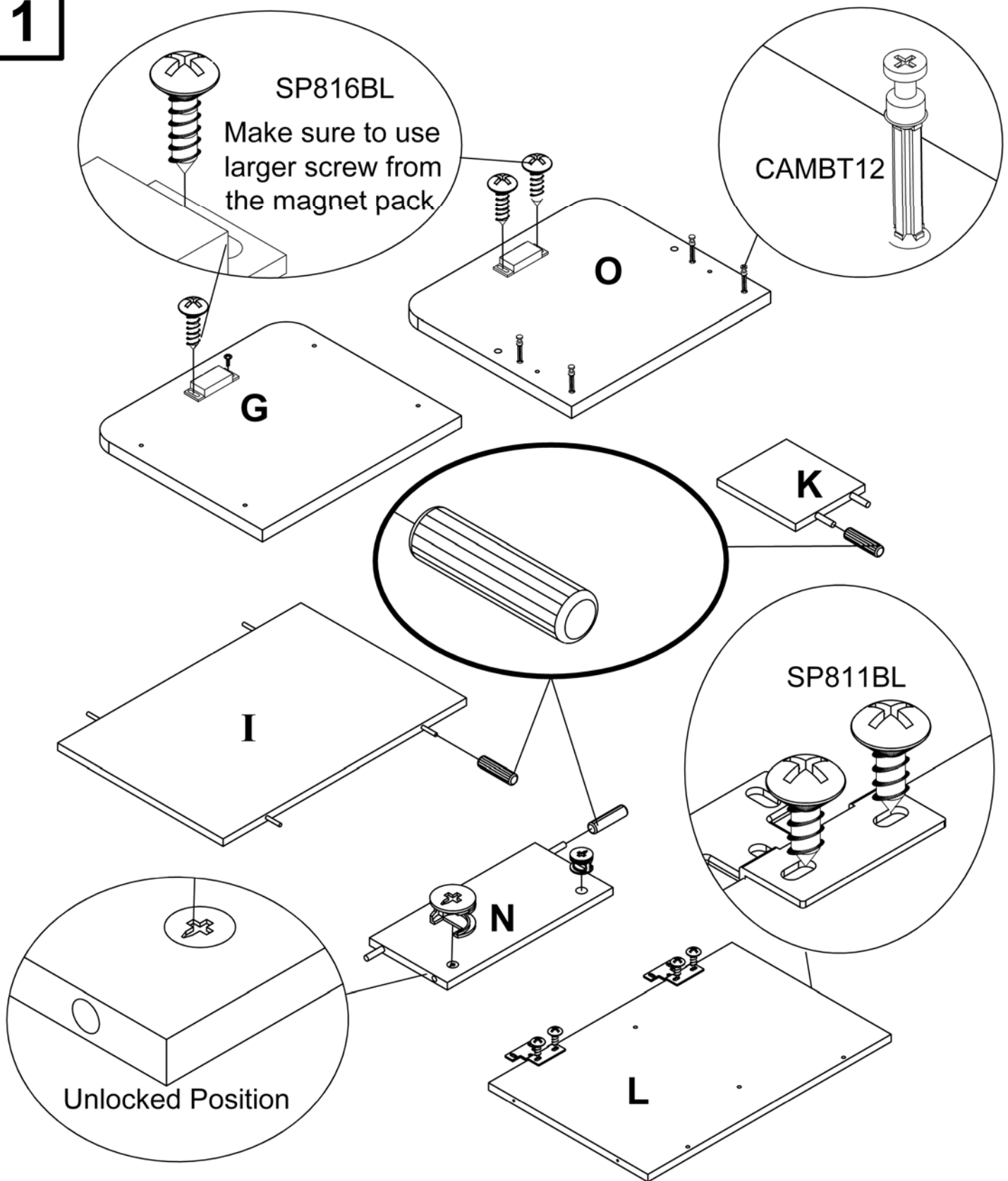
# PARTS IDENTIFICATION

NOTE: FIRST MAKE SURE THAT YOU HAVE ALL OF THE PARTS LISTED ON THIS SHEET. IF YOU ARE MISSING ANY PIECE(S), DO NOT ASSEMBLE THE UNIT. INSTEAD, CALL CUSTOMER SERVICE NUMBER AT: (888) 777-8250. WE WILL BE HAPPY TO ASSIST YOU.



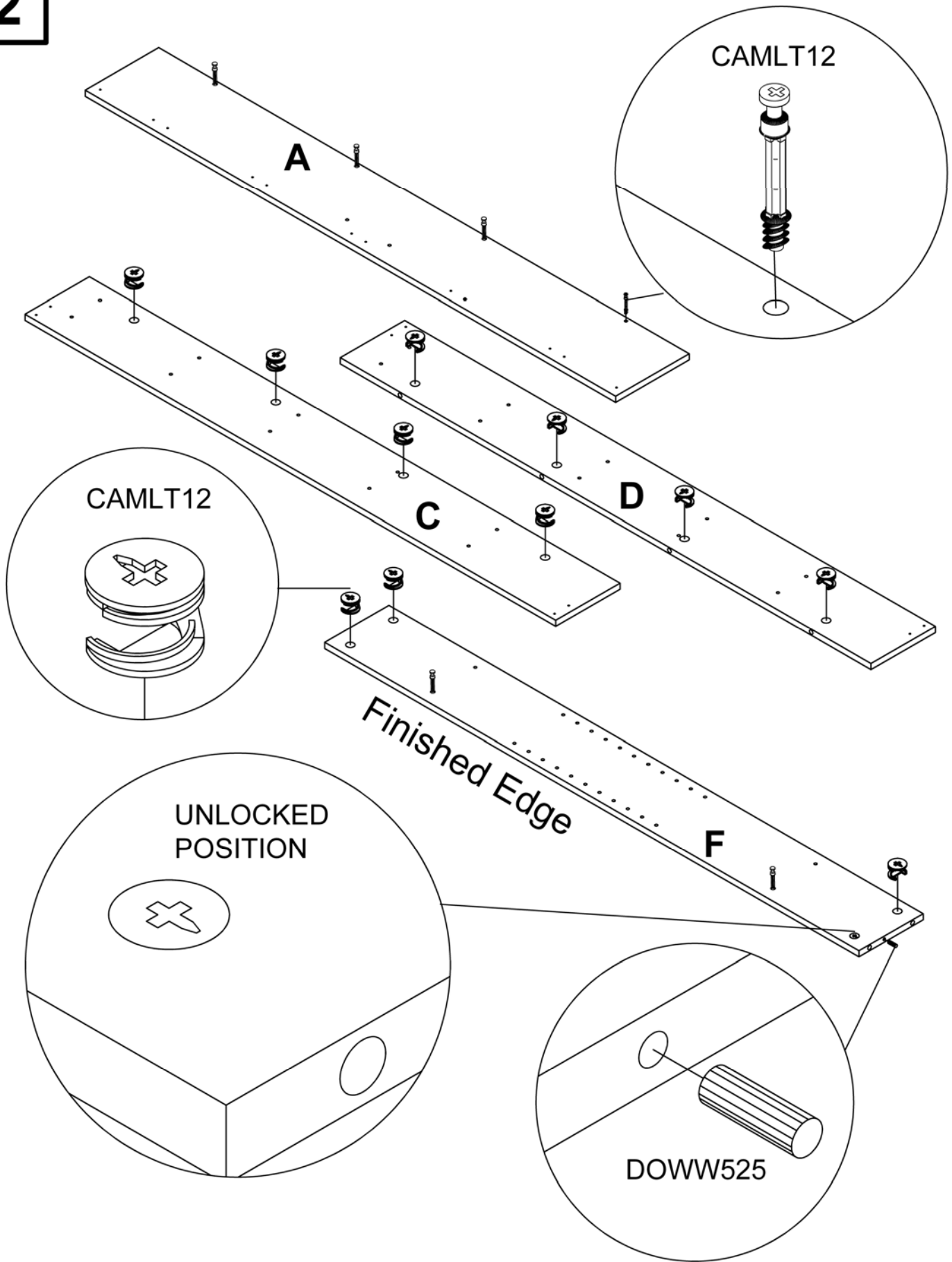
2032A-UPPER DOOR	2PCS	2032I-LOWER BACK	1PC
2032B-LOWER DOOR	2PCS	2032J-BASE	1PC
2032C-DOOR SIDE LT.	1PC	2032K-DOOR SHELF	10PCS
2032D-DOOR SIDE RT.	1PC	2032L-LOWER SIDE	2PCS
2032E-BACK PANEL	1PC	2032M-UP. ADJ. SHELF	2PCS
2032F-UP. CAB. SIDE	2PCS	2032N-UP. FIX. SHELF	2PCS
2032G-MID. DIVIDER	1PC	2032O-TOP	1PC
2032H-BOTTOM SHELF	1PC		

1

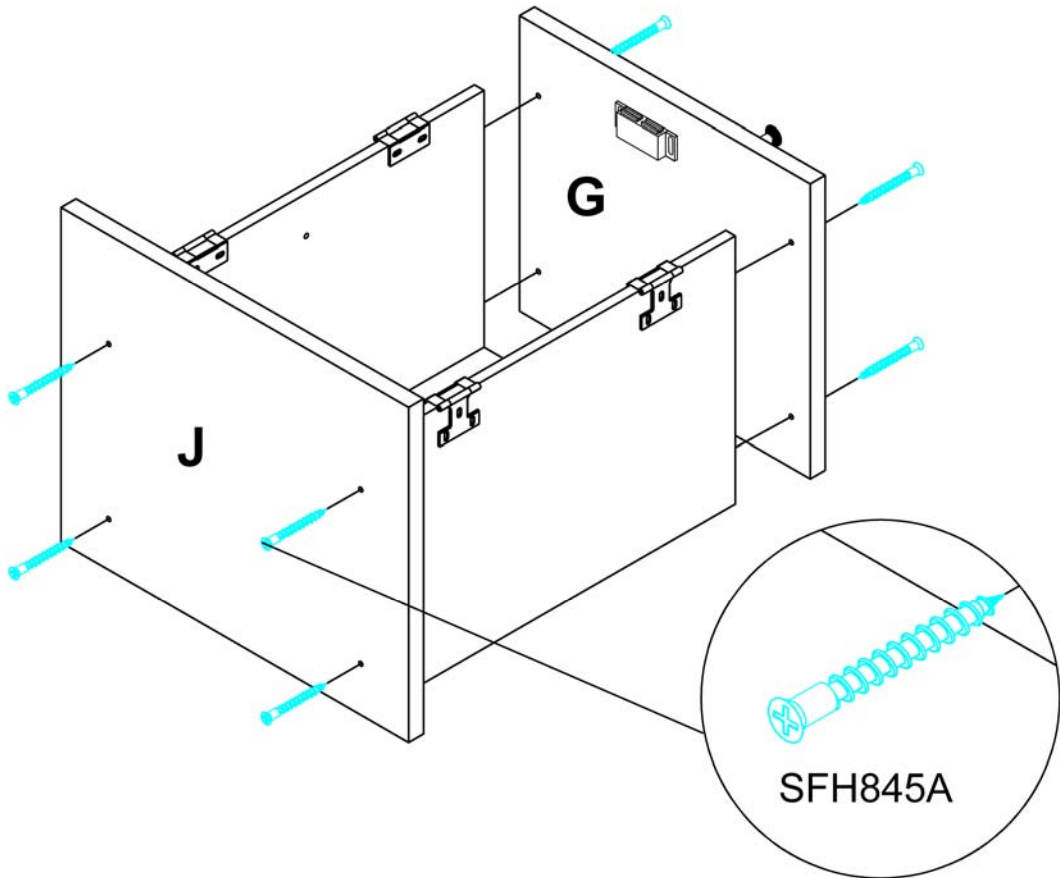
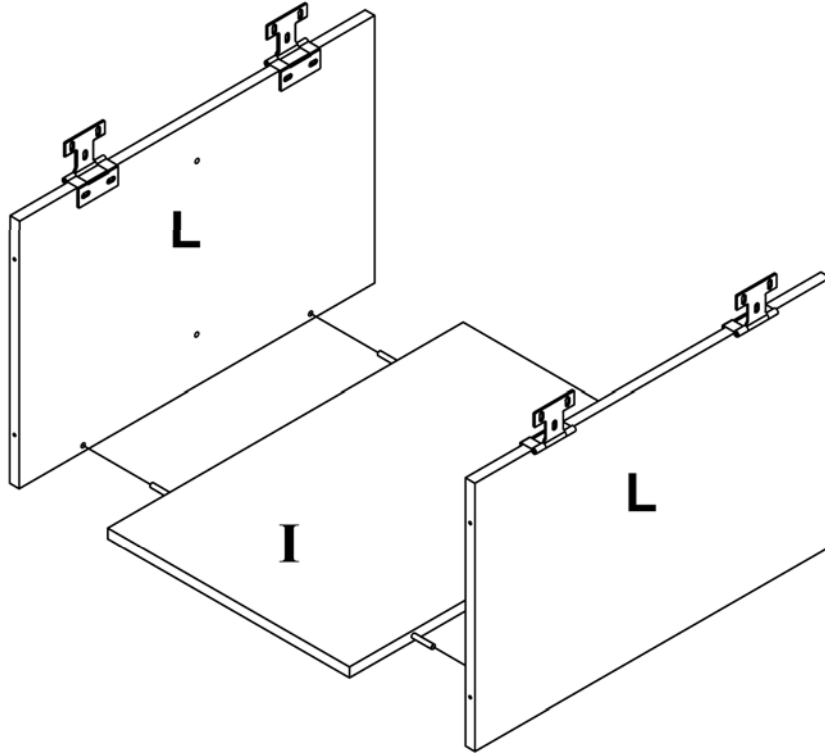


Insert the wood dowels in by tapping on with the hammer.  
**Make sure the dowels go in as far as possible. They should stick out no more than 3/8".**

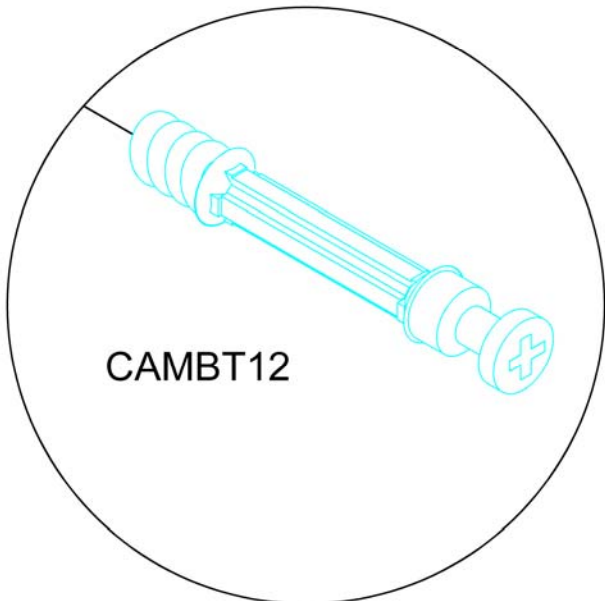
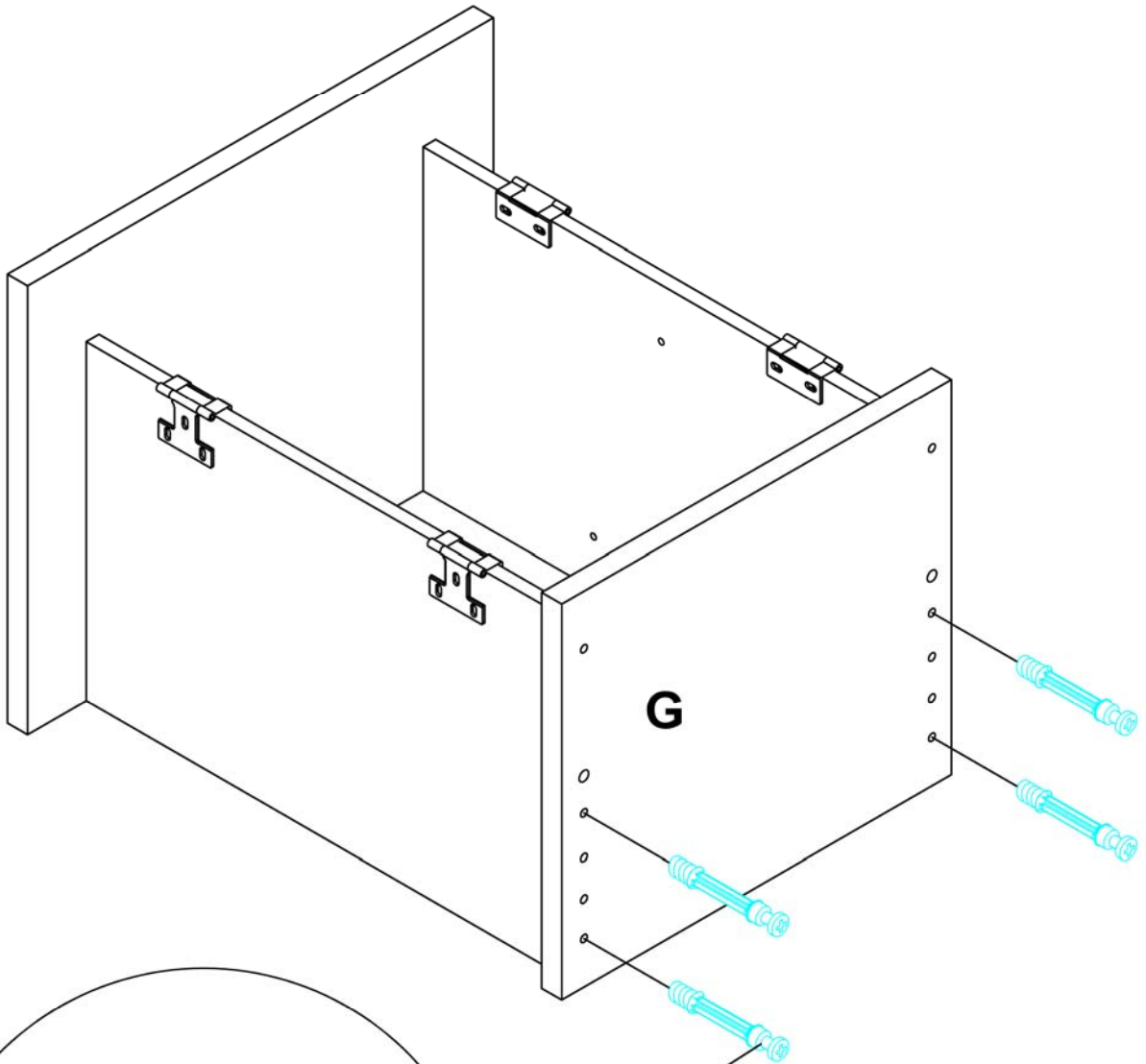
2



3

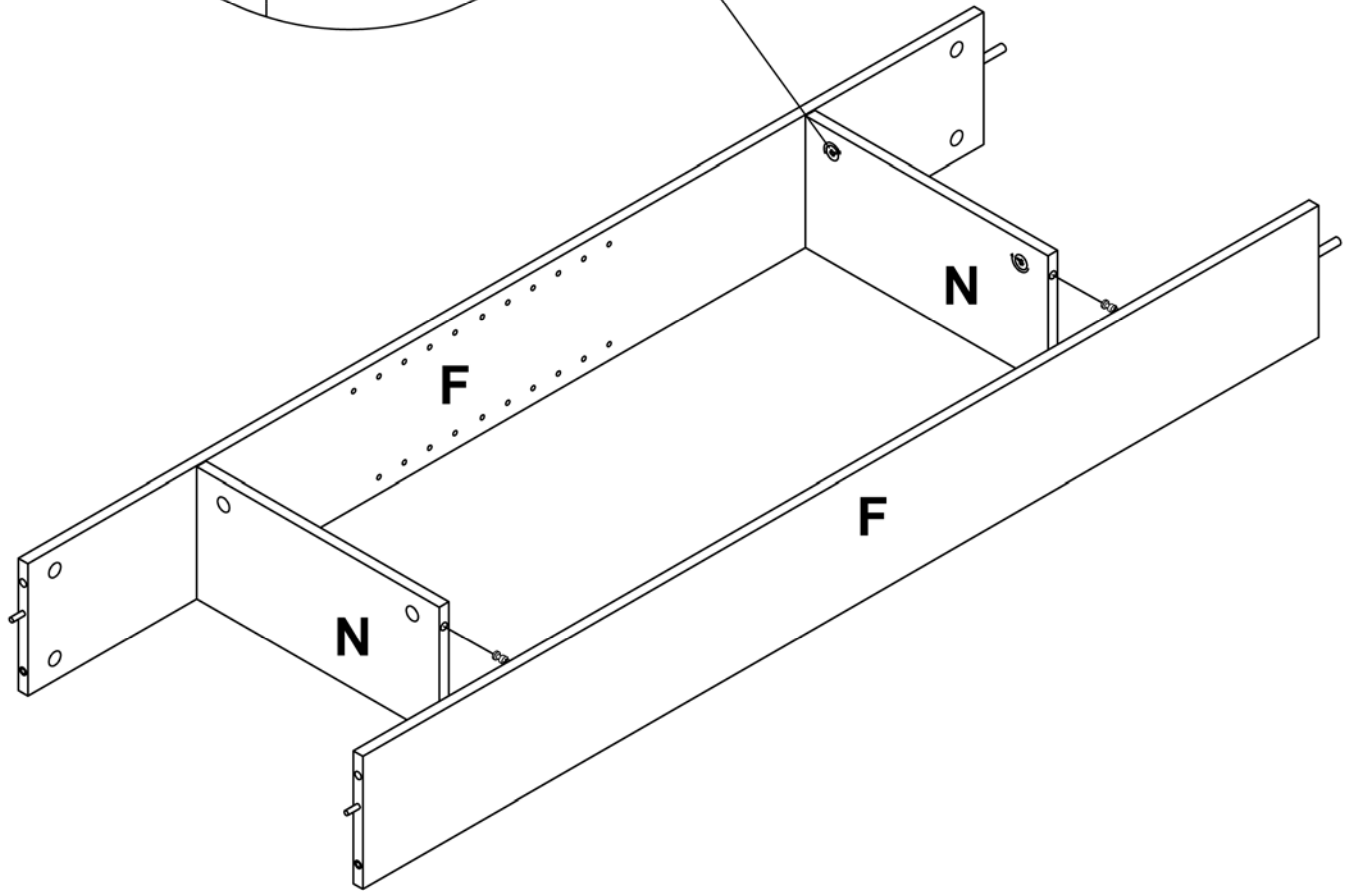
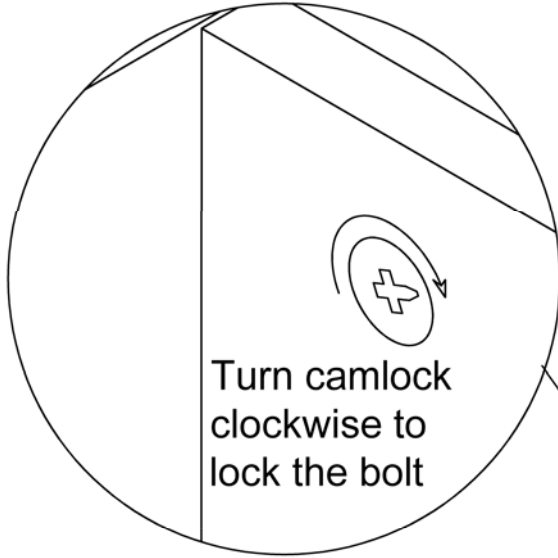


4



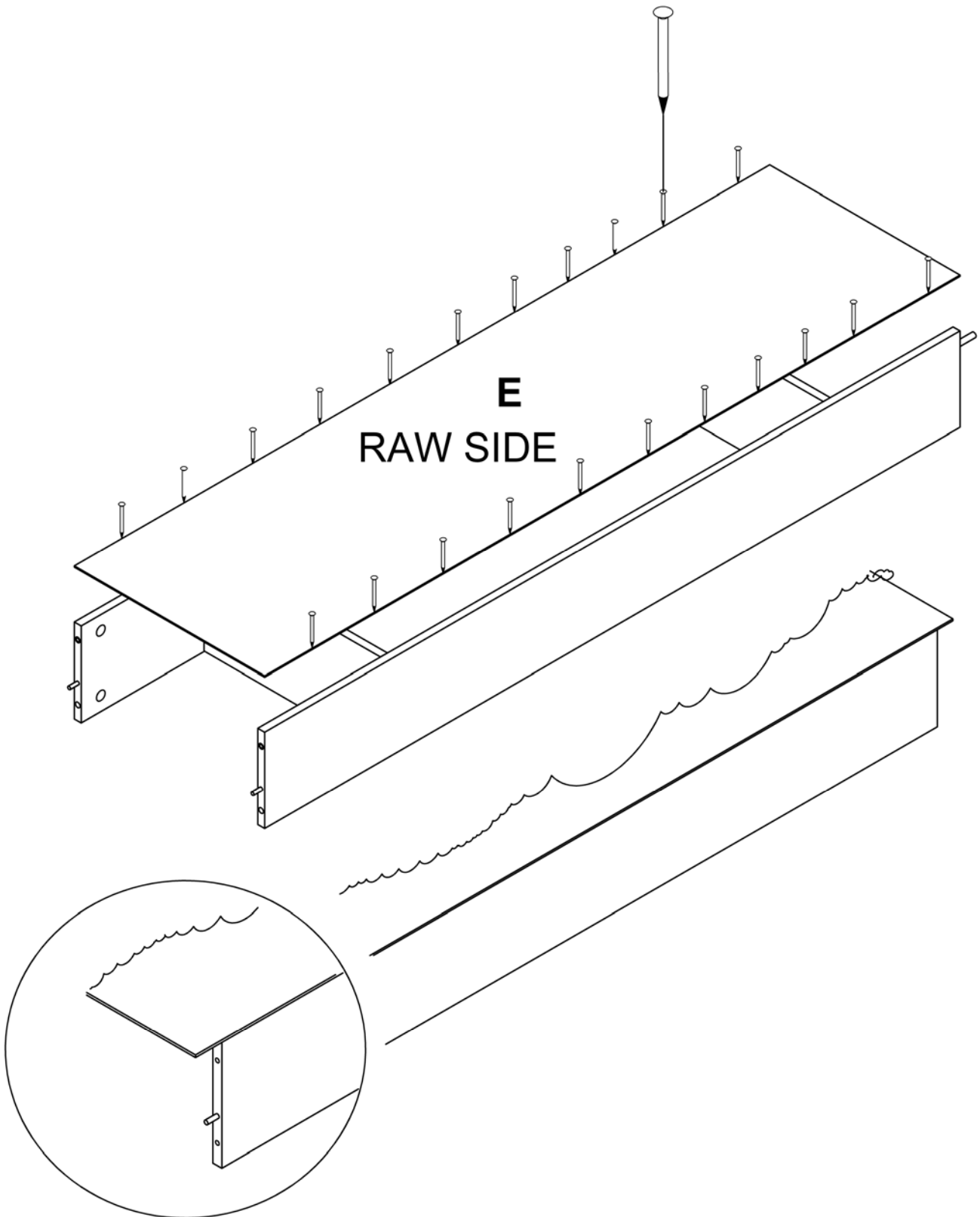
CAMBT12

**5**

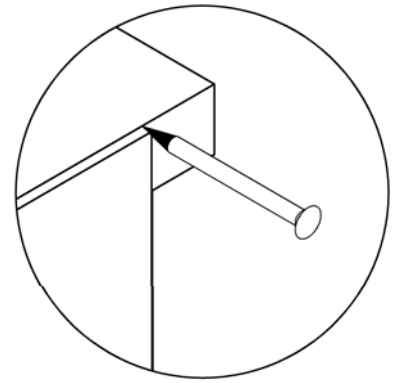


**6**

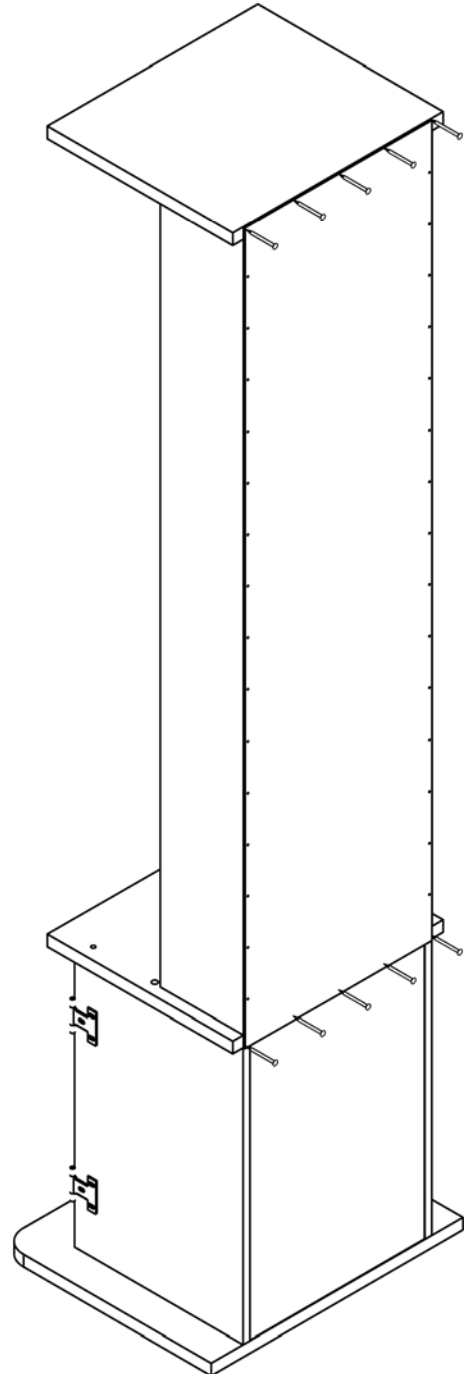
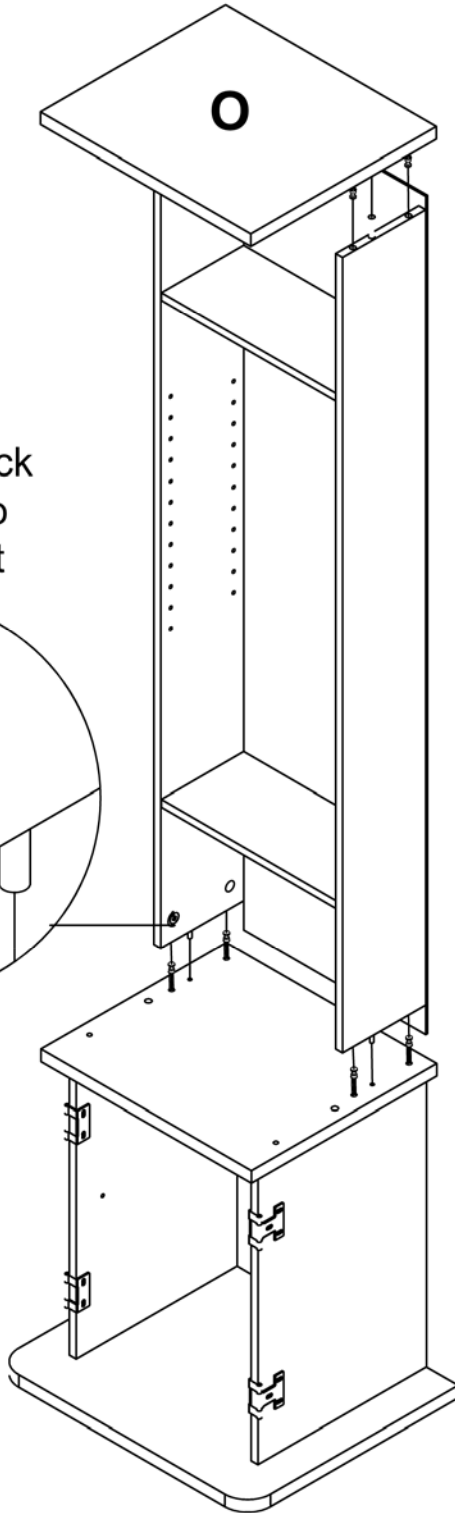
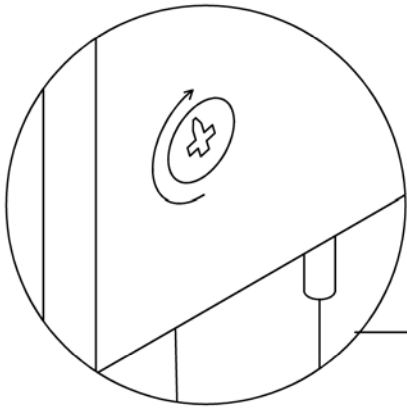
Align back panel over raw edges of assembly and leave equal amount of margin on both ends  $\frac{1}{2}$  of an inch.



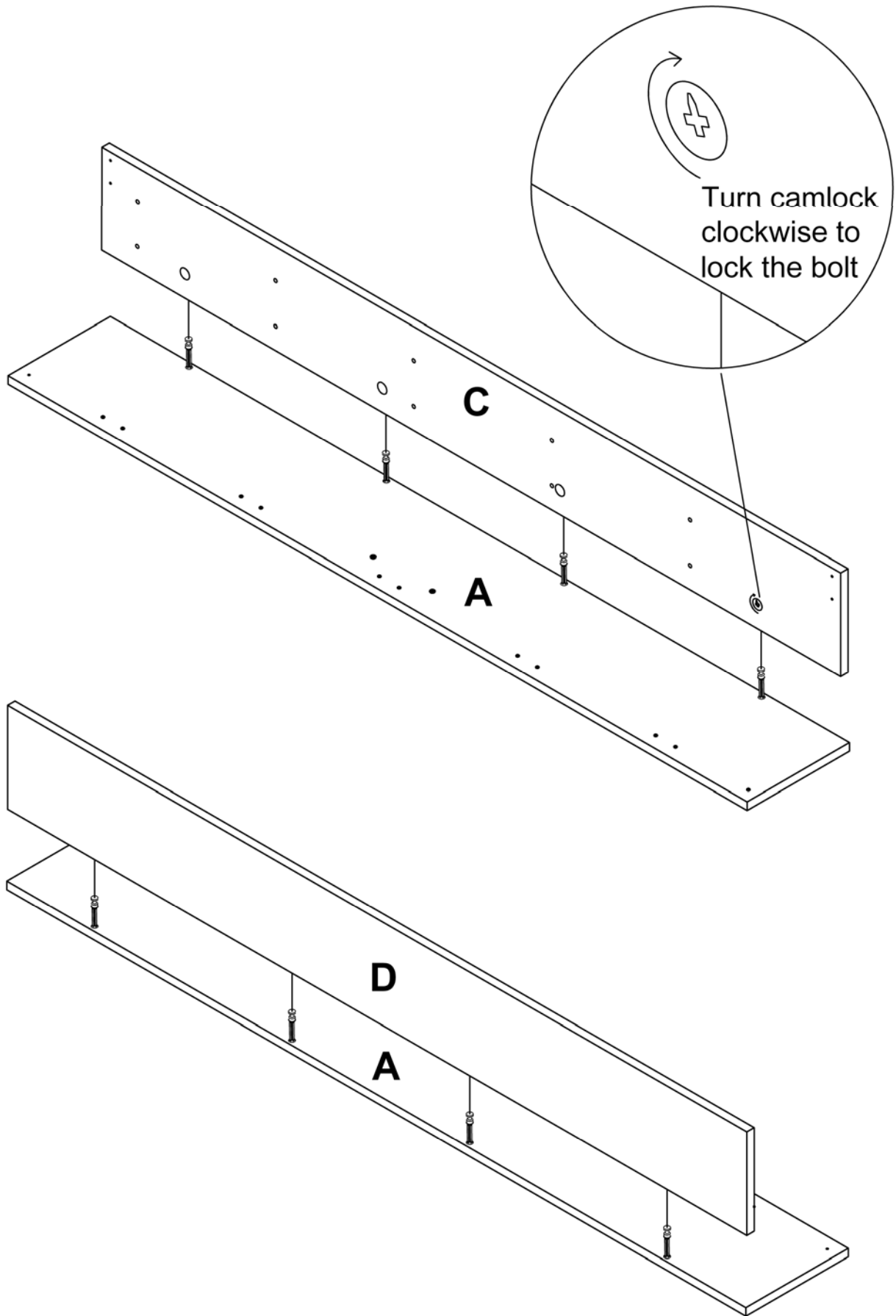
7



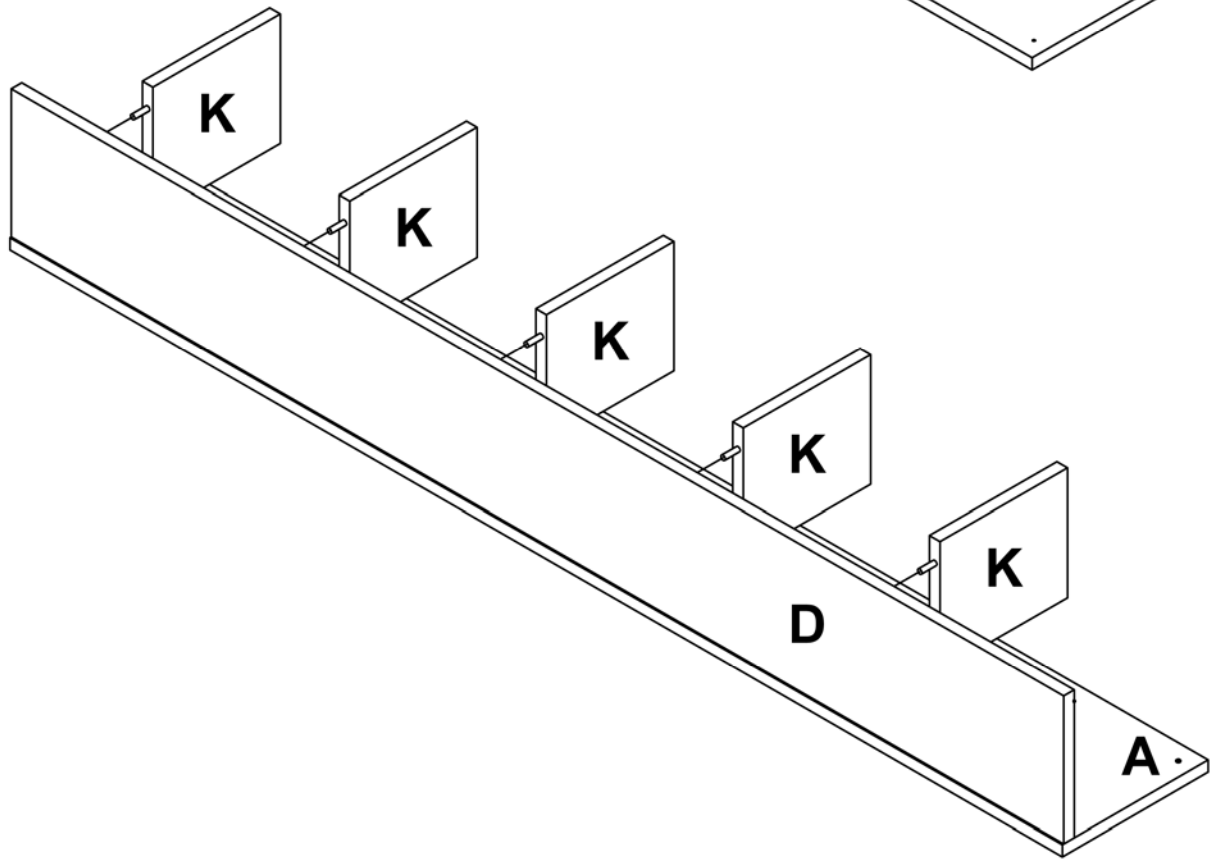
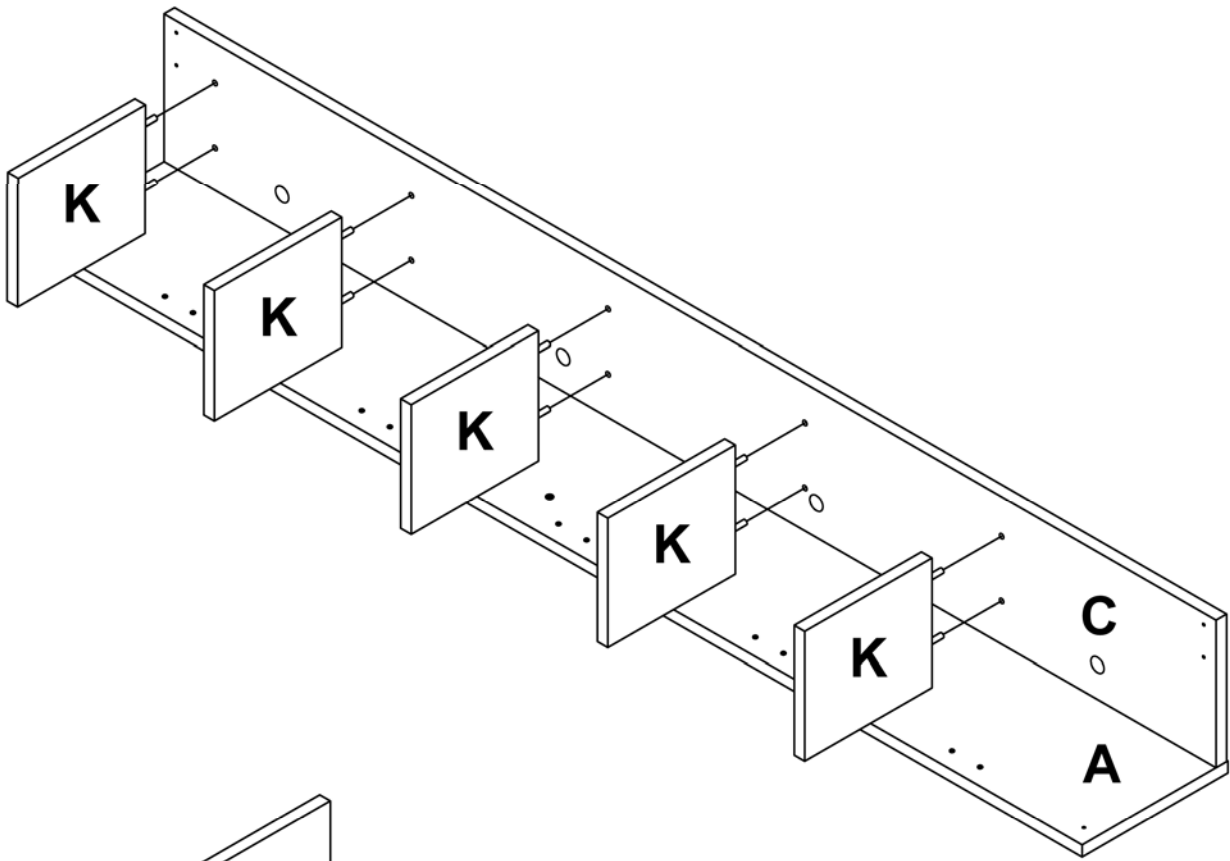
Turn camlock  
clockwise to  
lock the bolt



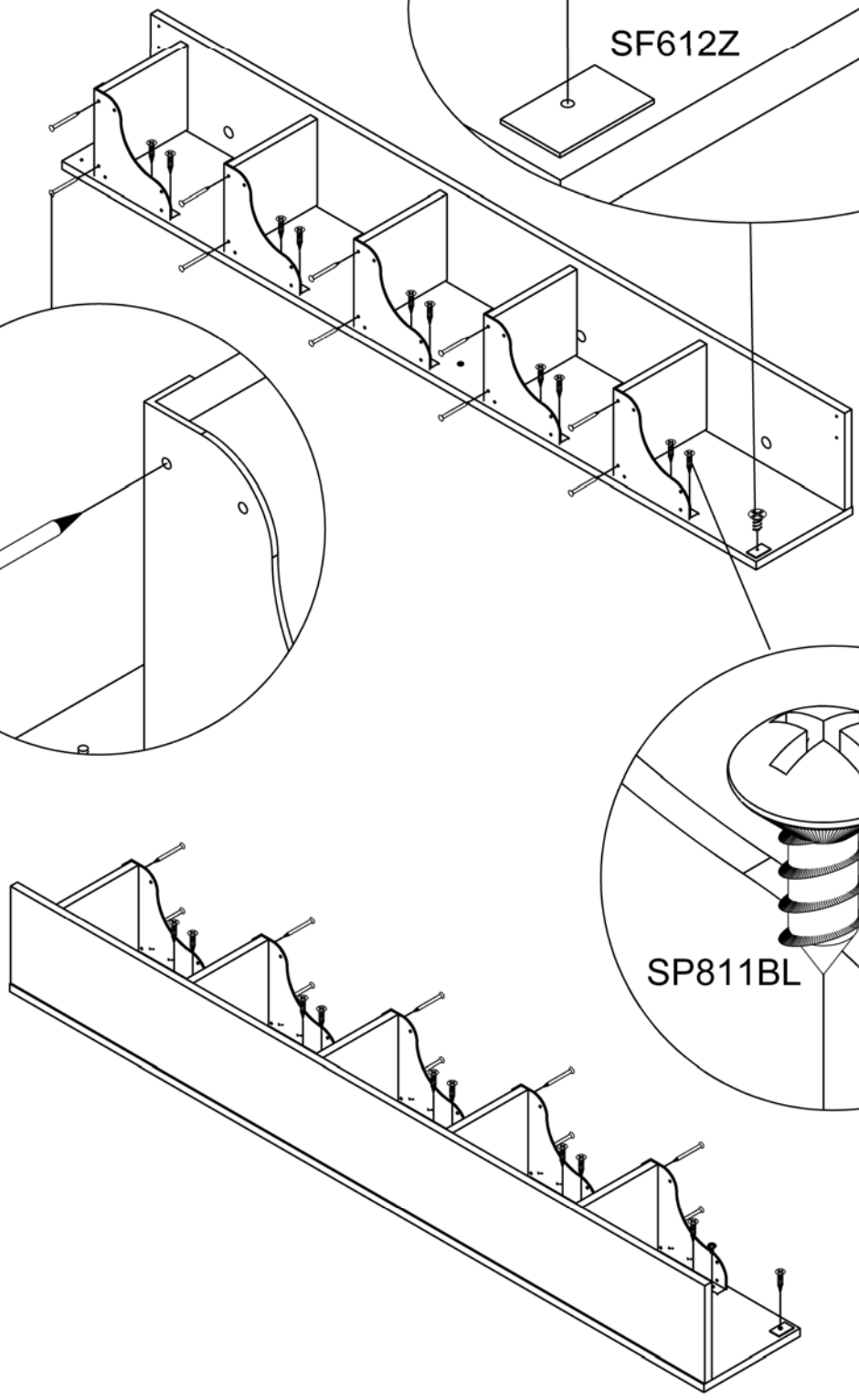
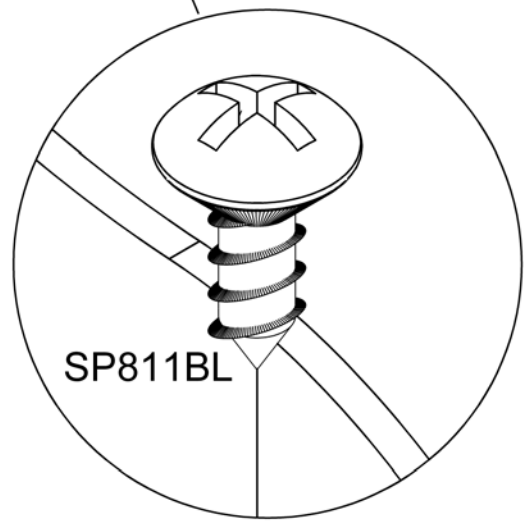
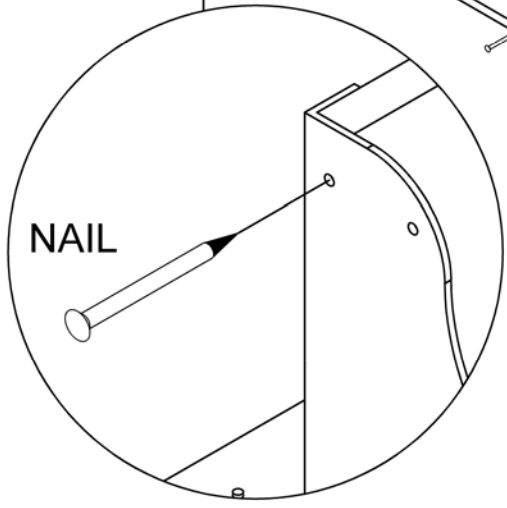
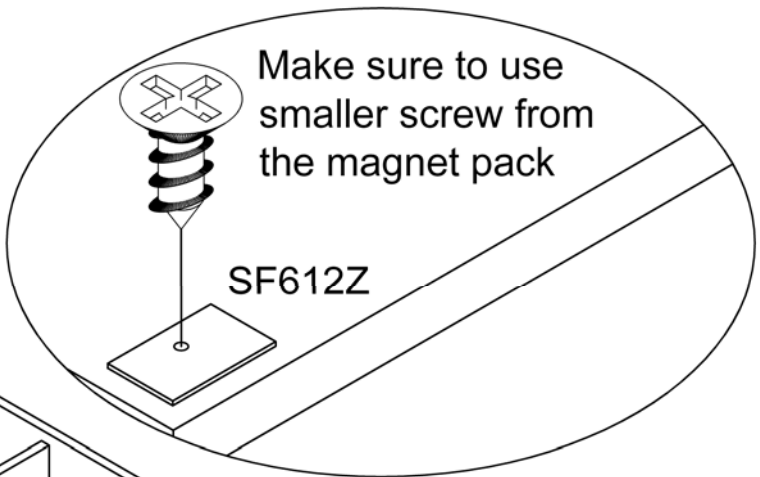
8

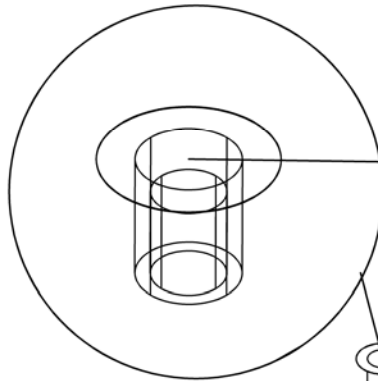
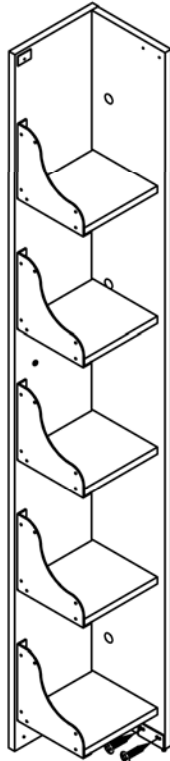
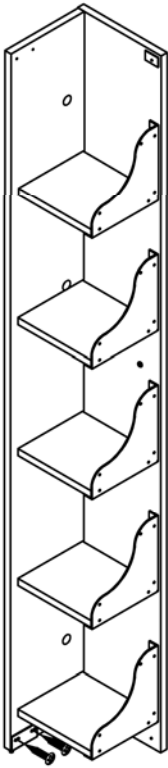


9



10

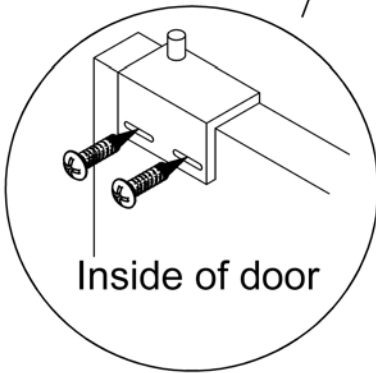




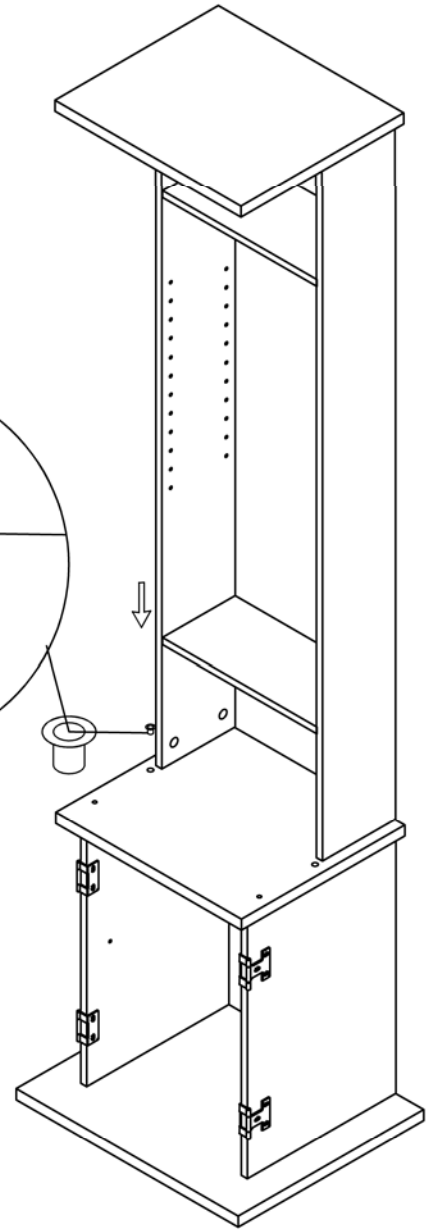
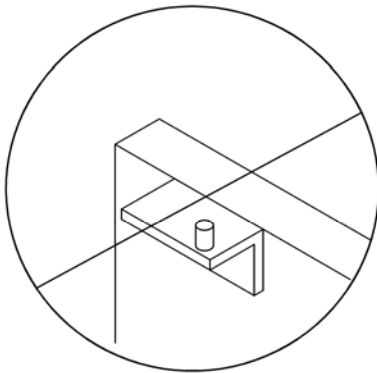
Be sure hinge fits over the edge of door as shown in this bubble.

**YES**

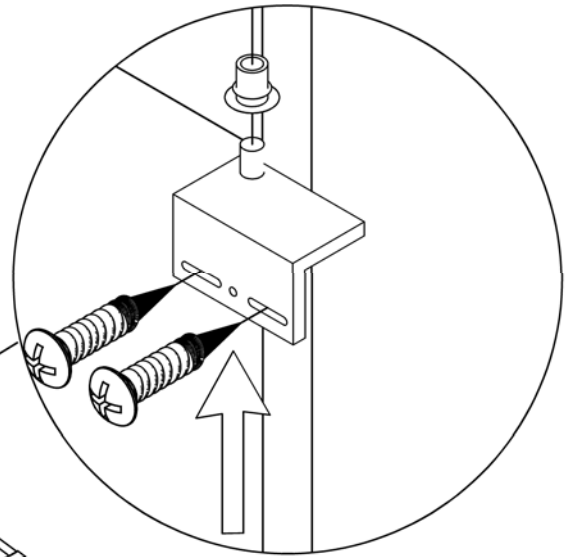
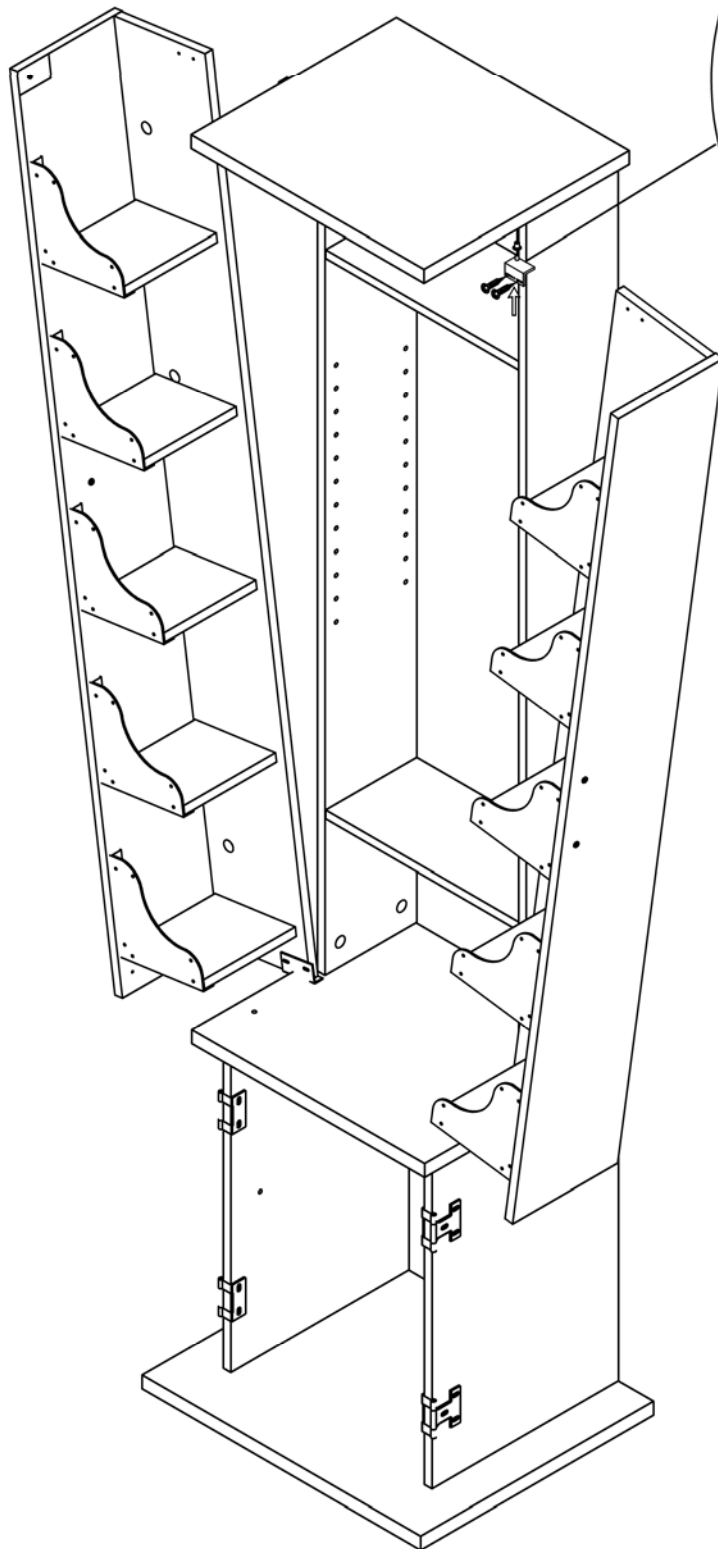
**NO**



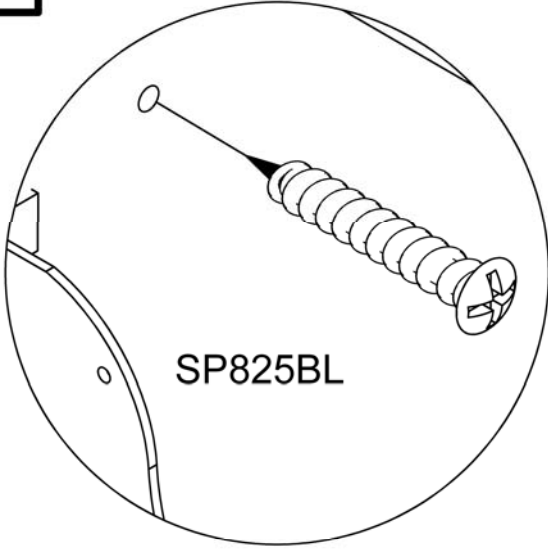
Inside of door



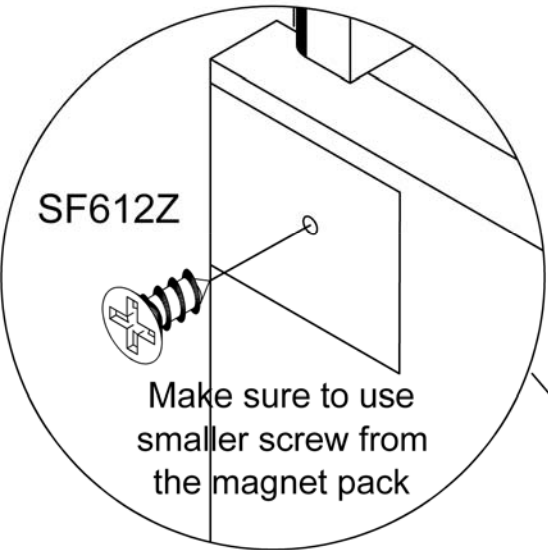
12



13

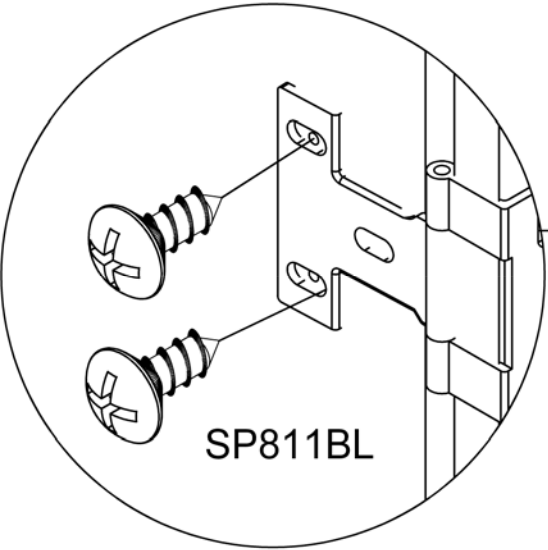


SP825BL

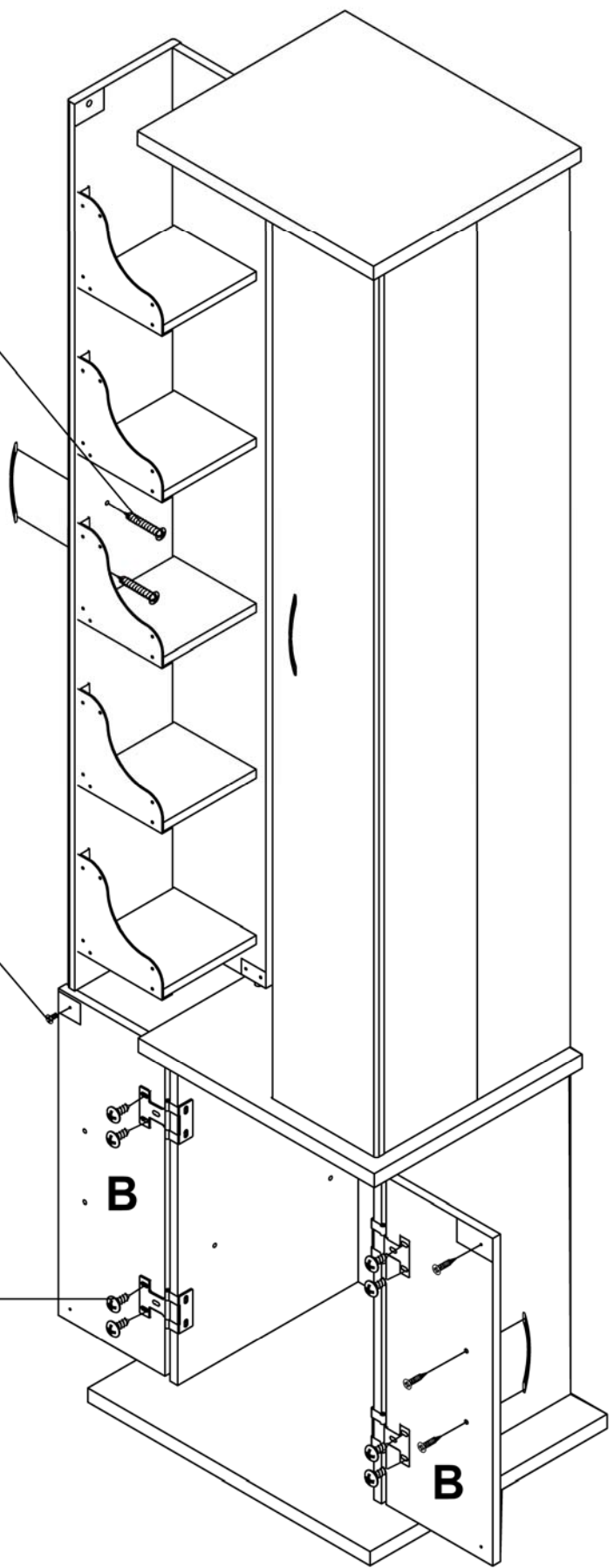


SF612Z

Make sure to use smaller screw from the magnet pack



SP811BL



14

