



IF PARTS ARE MISSING AND OR DEFECTIVE, IF INSTRUCTIONS ARE NOT CLEAR
OR IF YOU ARE EXPERIENCING PROBLEMS ASSEMBLING OUR PRODUCT.

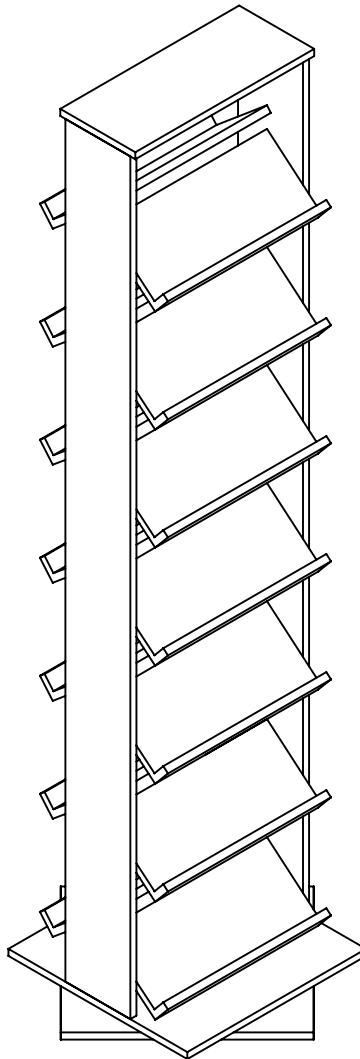
**BEFORE YOU RETURN THE PRODUCT TO THE STORE,
PLEASE CALL US TOLL FREE FOR CUSTOMER SERVICE ASSISTANCE**

(888) 777-8250

OR SEND US EMAIL AT

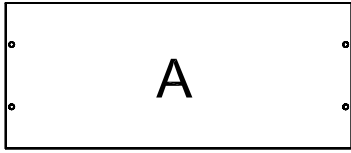
help@spartakent.com

PLEASE HAVE ITEM NUMBER READY, AND A REPRESENTATIVE WILL GLADLY ASSIST YOU

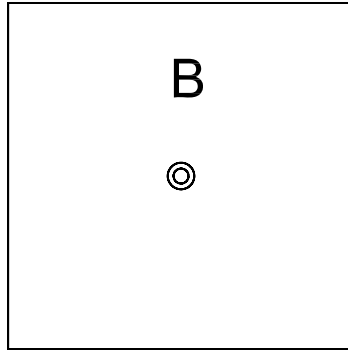


PARTS IDENTIFICATION

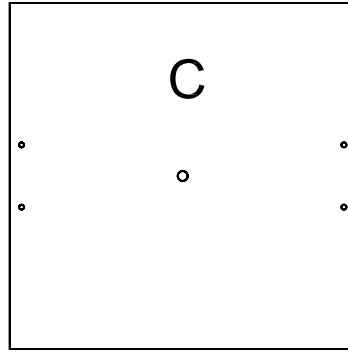
NOTE: FIRST MAKE SURE THAT YOU HAVE ALL OF THE PARTS LISTED ON THIS SHEET. IF YOU ARE MISSING ANY PIECE(S), DO NOT ASSEMBLE THE UNIT. INSTEAD, CALL OUR CUSTOMER SERVICE NUMBER AT: (888) 777-8250. WE WILL BE HAPPY TO ASSIST YOU.



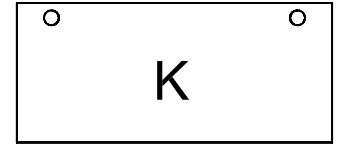
A



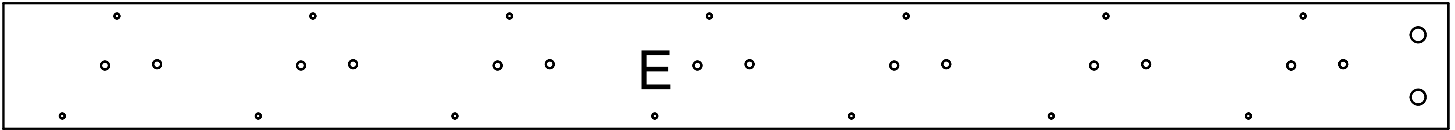
B



C



K







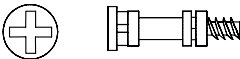

E

24xA-Top 1pc
 24xB-Bottom 1pc
 24xC-Base 1pc

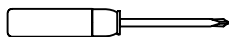
24xE-Side 2pcs
 24xK-Shelf 14pcs

PARTS ARE USUALLY MARKED ON THE RAW EDGE.

HARDWARE LIST

HARDWARE	PART #	DESCRIPTION	QTY
	CAMLT12	CAMLOCK	28
	CAMBT12	BOLT	28
	DOWW525	WOOD DOWEL	32
	SFH845A	WOOD SCREW	4
	TRNTSC	SWIVEL BOLT	1
	TRNTPL	SWIVEL PLATE	1

TOOL REQUIRED



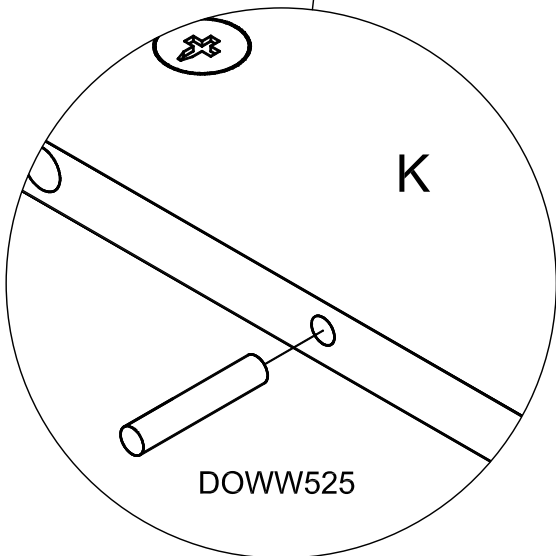
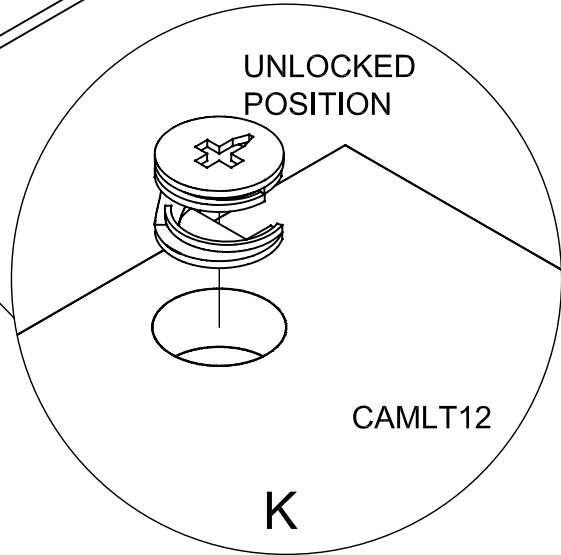
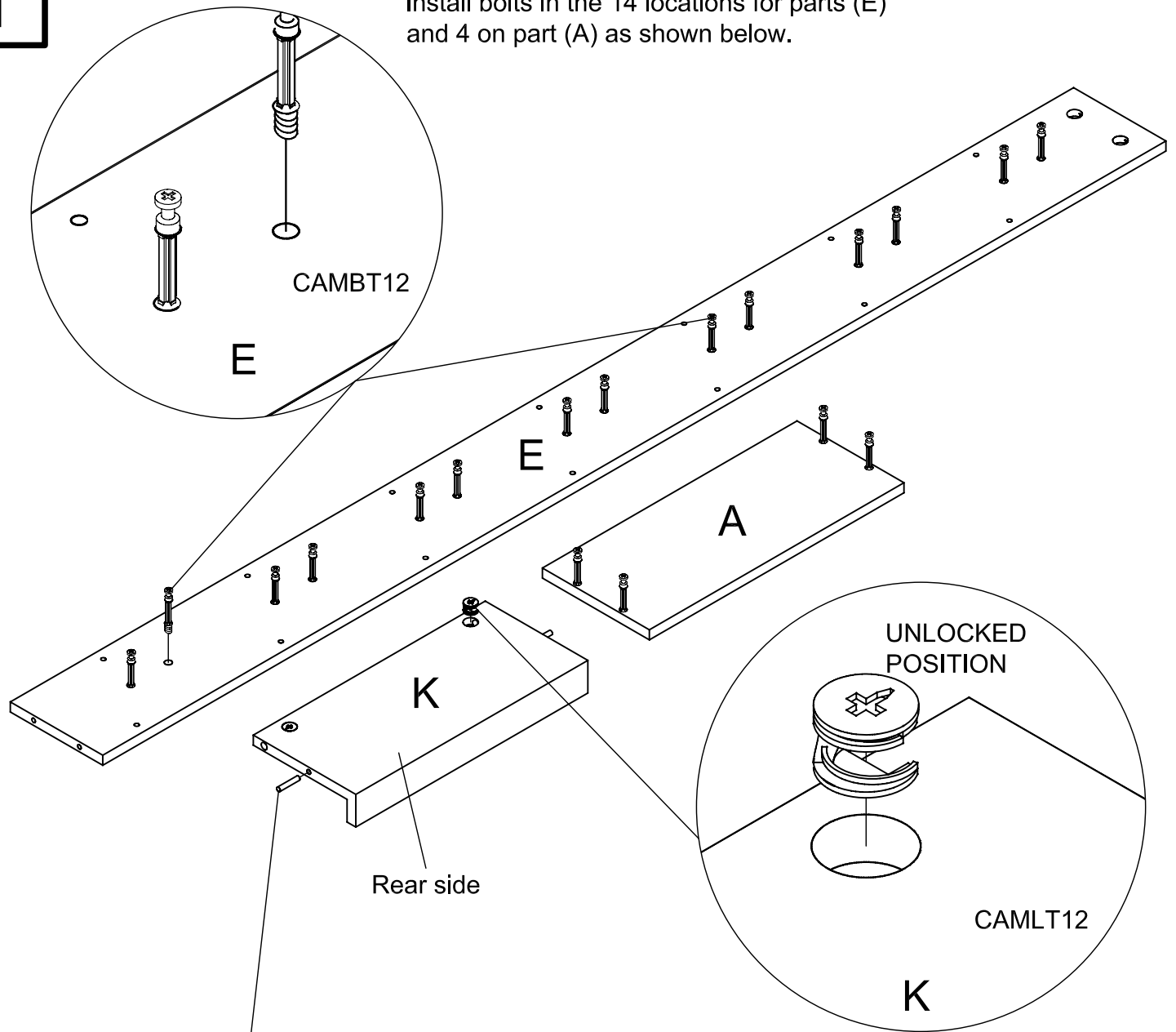
PHILLIPS SCREWDRIVER



TIGHTENING KEY

1

Install bolts in the 14 locations for parts (E) and 4 on part (A) as shown below.

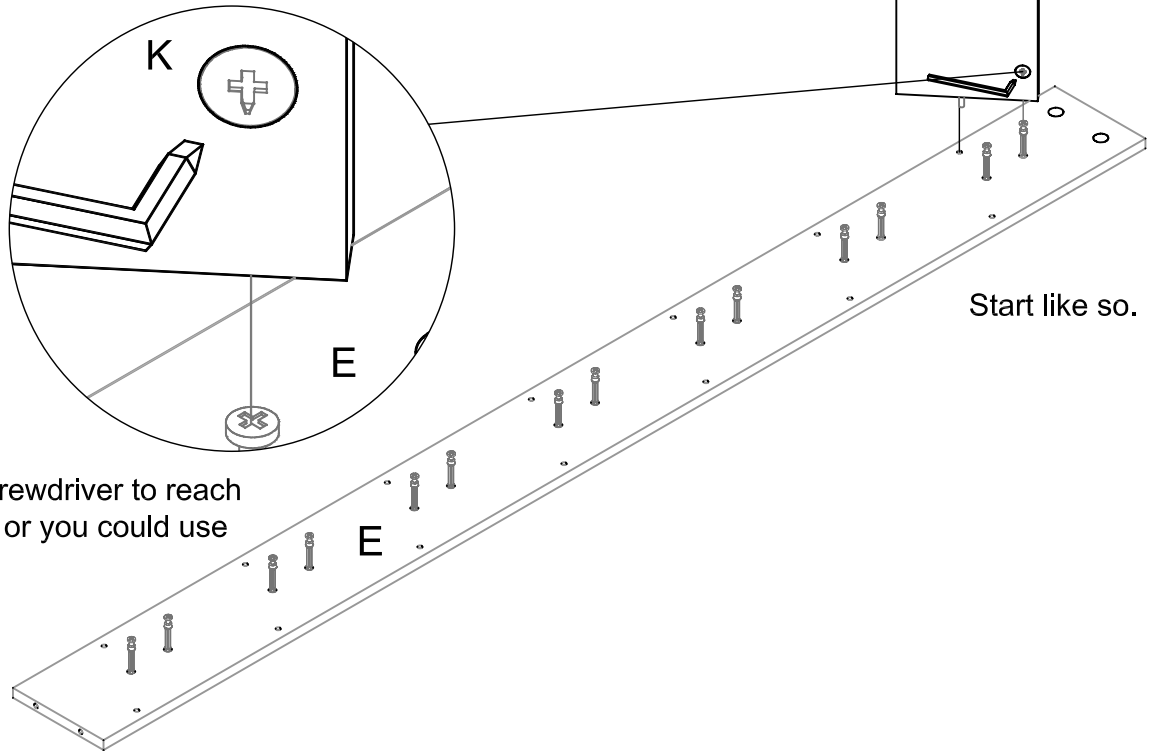


Note: Place two camlocks on rear sides of part K. When placing camlocks, make sure the arrow on the camlocks are facing towards the edge of the part as shown above.

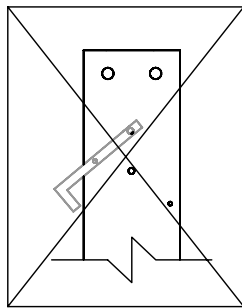
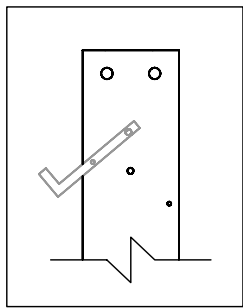
Note: Insert 1 wood dowel on each end of (K), make sure dowels go in as far as they can go. They shouldn't stick out more than 1/2".

2

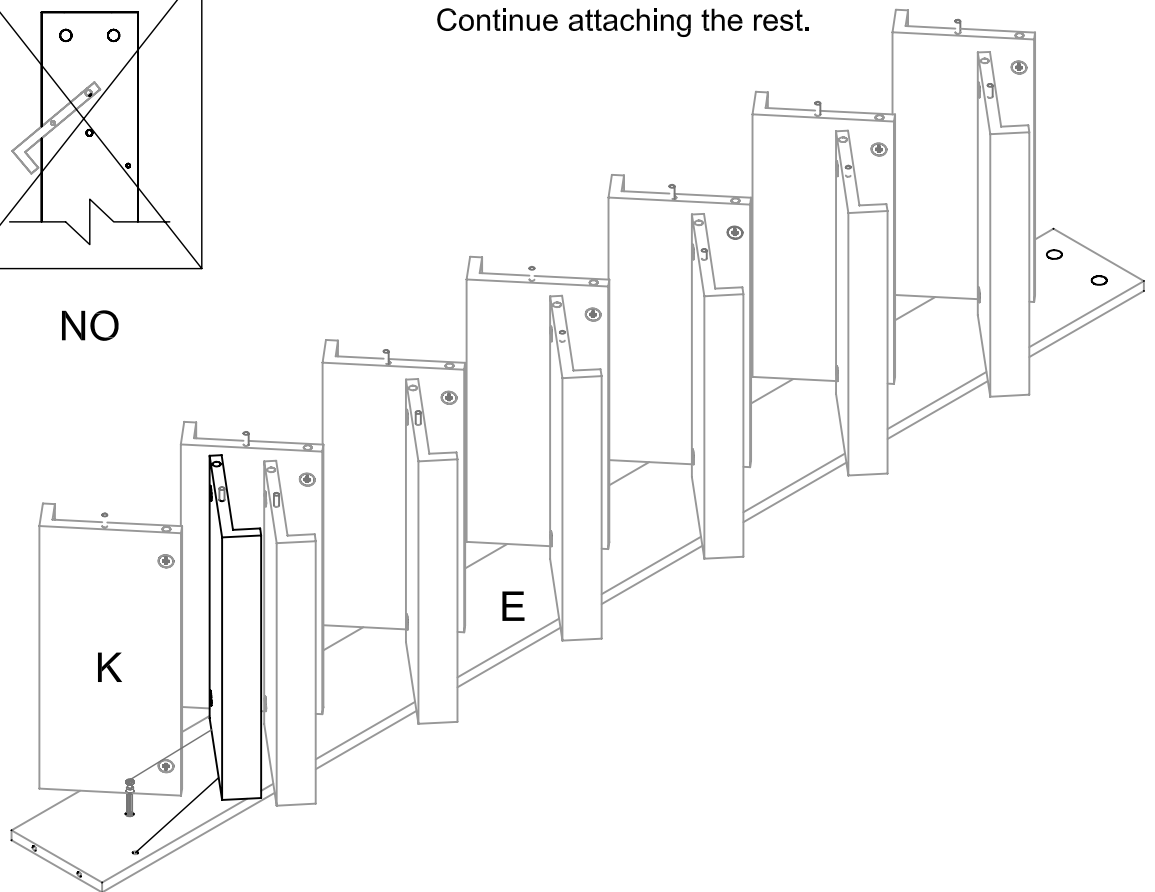
Note: Lay side piece (E) on the floor and attach the shelves (K) one by one by fastening the camlocks. Turn camlocks a little over half a turn clockwise, until you come to a full stop. Make sure there is no gaps in between the parts your fastening.



Note: Use a flat head screwdriver to reach and tighten the camlock or you could use the key that is provided.

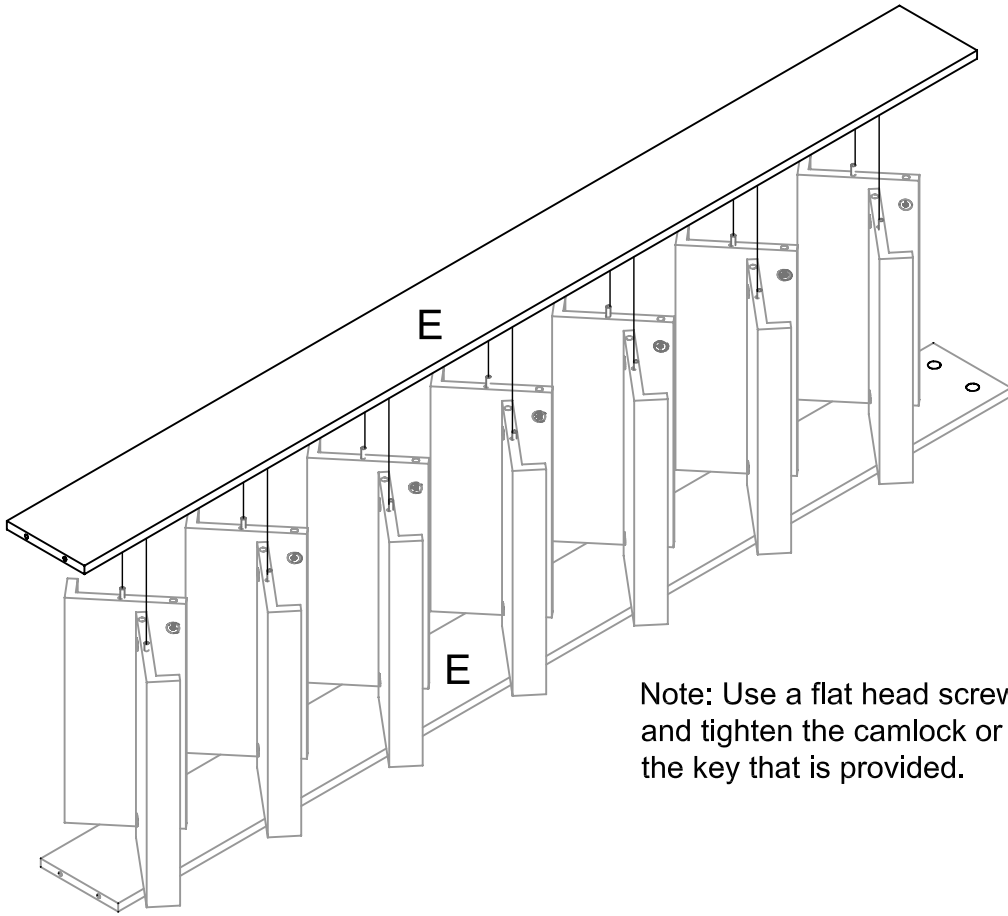


Continue attaching the rest.



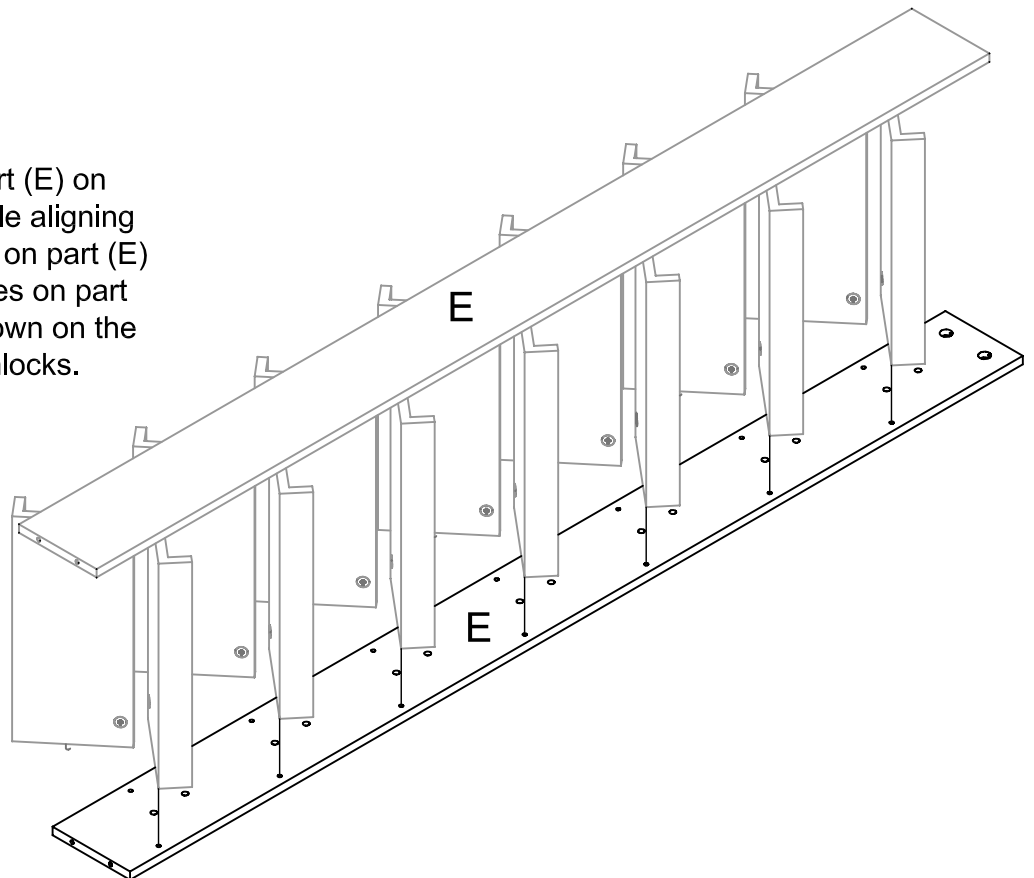
3

Bring together parts and make sure there are no gaps. Align the holes of part (E) to the corresponding holes on parts (K) and fasten the camlocks as shown below. Turn the camlocks a little over half a turn clockwise until you come to a full stop.



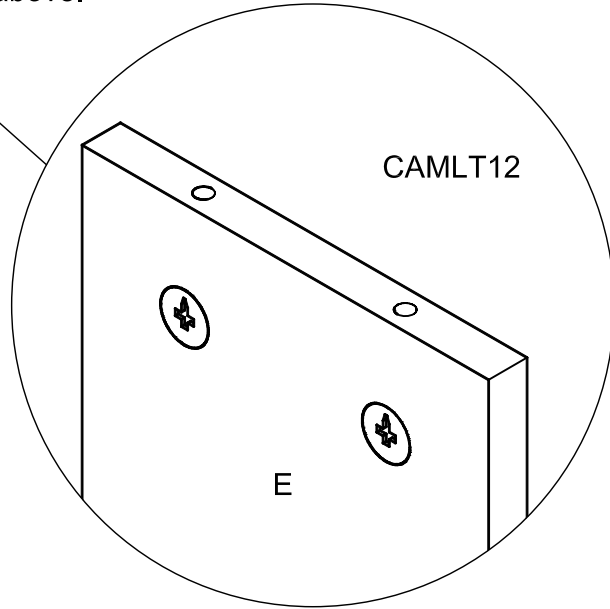
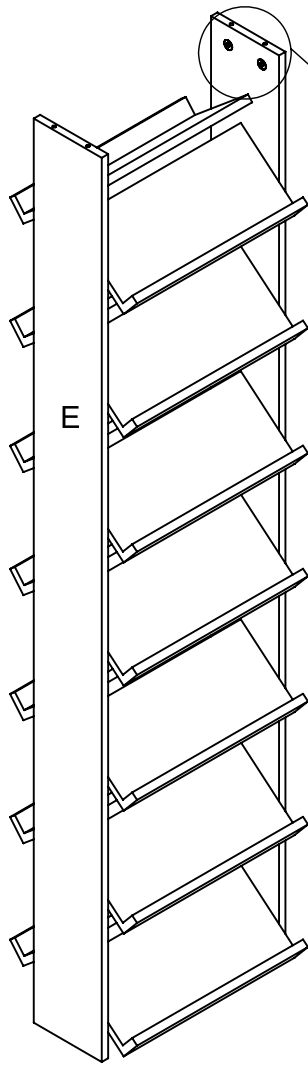
Note: Use a flat head screwdriver to reach and tighten the camlock or you could use the key that is provided.

If the process is difficult, lay part (E) on the floor and place the unit while aligning dowels to corresponding holes on part (E) and bolts to corresponding holes on part (K). Along with gravity press down on the unit and simply tighten the camlocks.

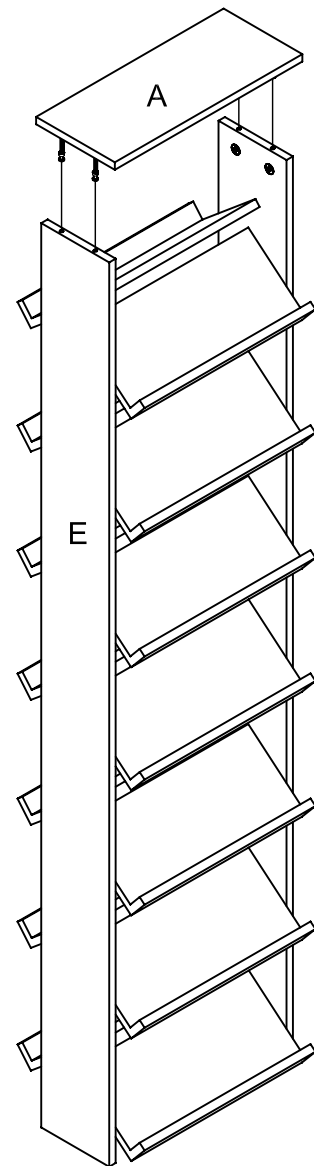
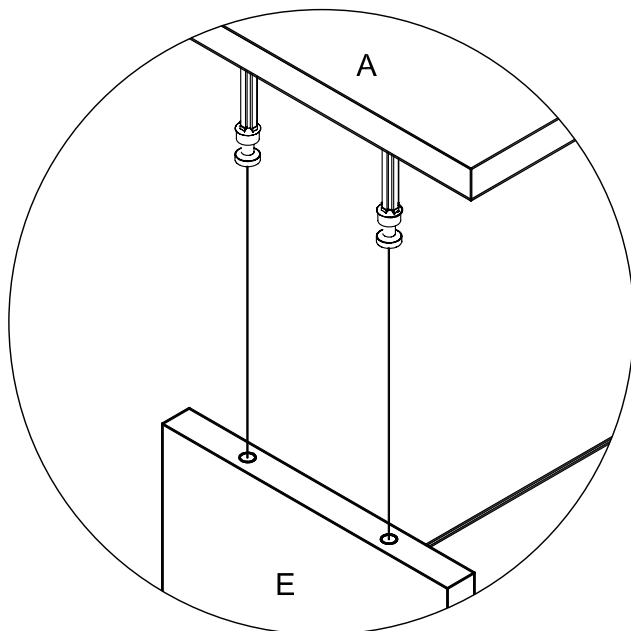


4

Note: Place the remaining camlocks on parts (E). When placing camlocks, make sure the arrow on the camlocks are facing towards the edge of the part as shown above.

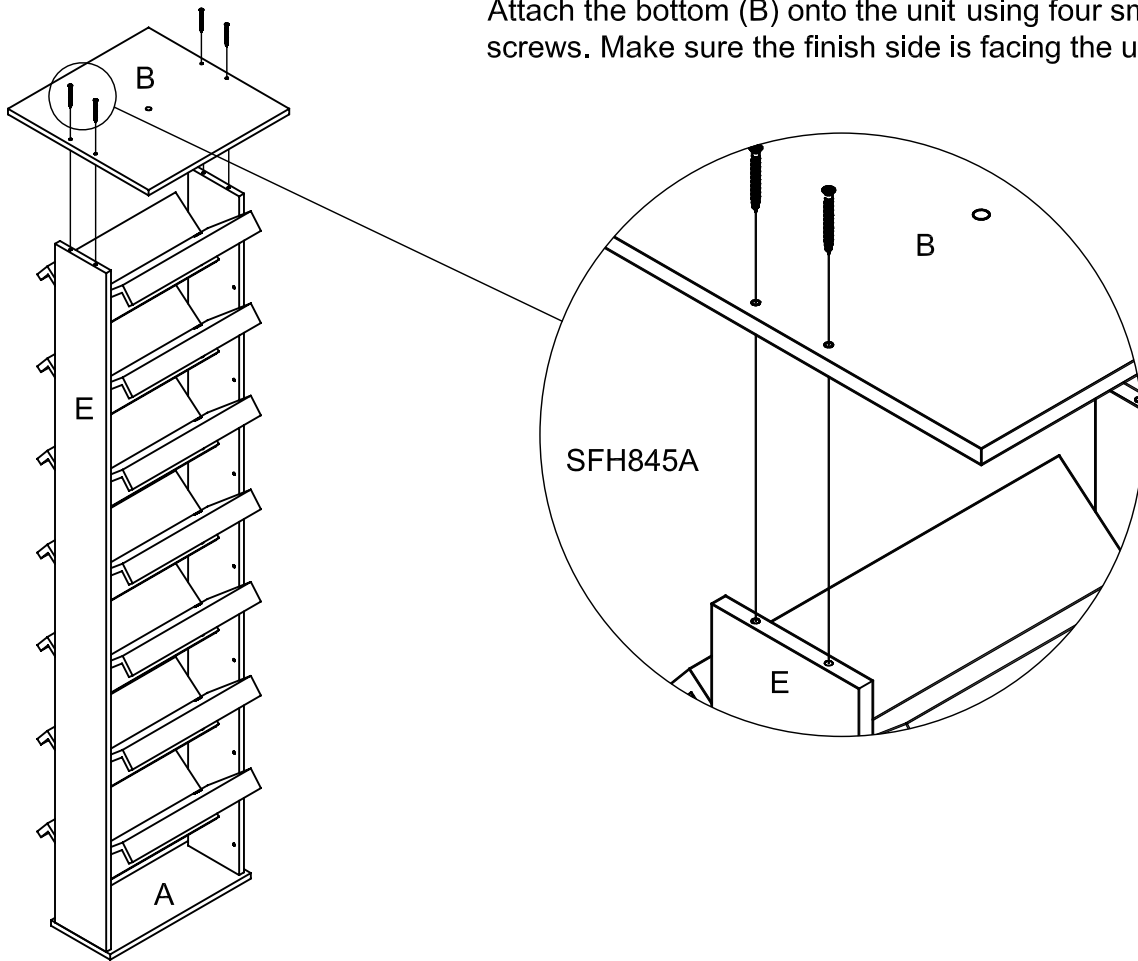


Bring parts together and fastening camlocks. Turn camlocks a little over half a turn clockwise, until you come to a full stop. Make sure there is no gaps in between the parts your fastening.



5

Attach the bottom (B) onto the unit using four small screws. Make sure the finish side is facing the unit.



Attach the base (C) and swivel plate onto the bottom using the swivel bolt. Make sure the finish side is facing the unit.

