



IF PARTS ARE MISSING AND OR DEFECTIVE, IF INSTRUCTIONS ARE NOT CLEAR  
OR IF YOU ARE EXPERIENCING PROBLEMS ASSEMBLING OUR PRODUCT.

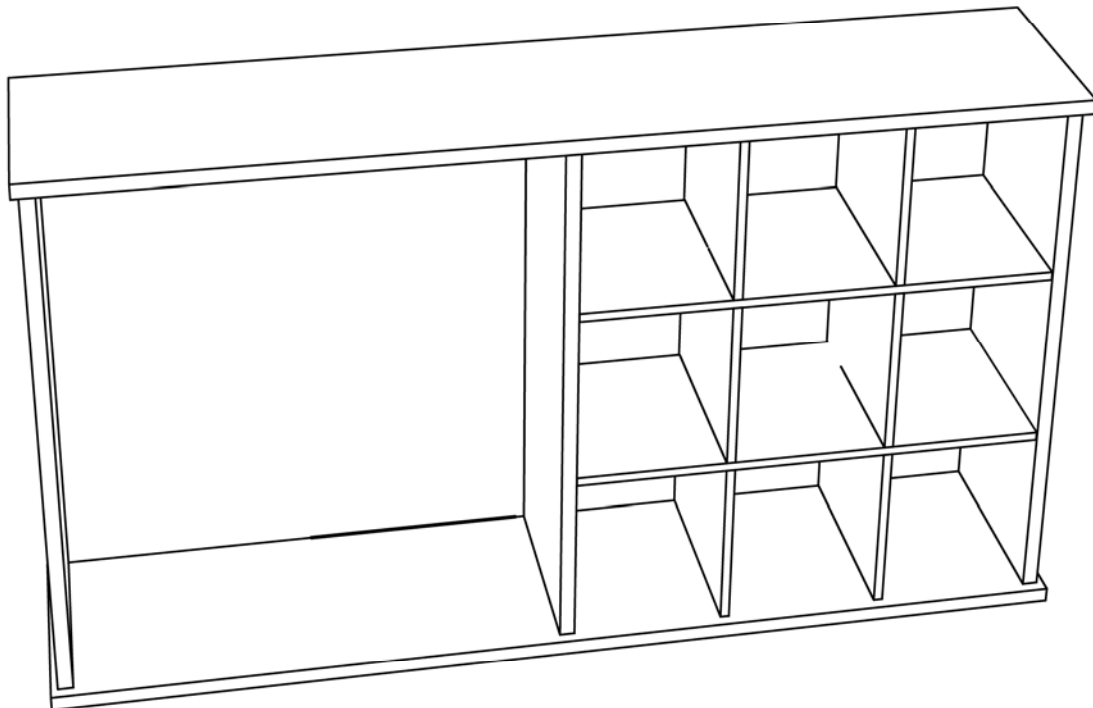
**BEFORE YOU RETURN THE PRODUCT TO THE STORE,  
PLEASE CALL US TOLL FREE FOR CUSTOMER SERVICE ASSISTANCE**

**(888) 777-8250**

**OR SEND US EMAIL AT**

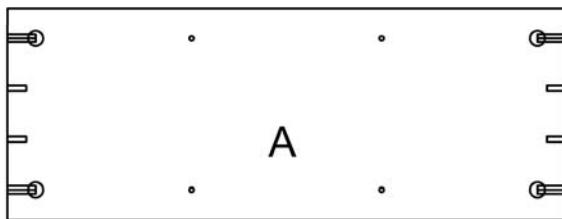
**[help@spartakent.com](mailto:help@spartakent.com)**

PLEASE HAVE ITEM NUMBER READY, AND A REPRESENTATIVE WILL GLADLY ASSIST YOU

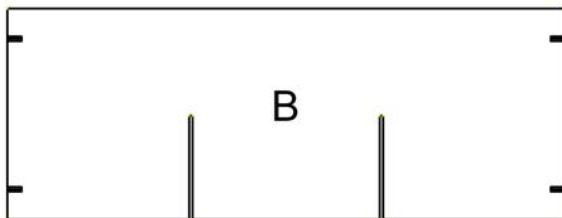


# PARTS IDENTIFICATION

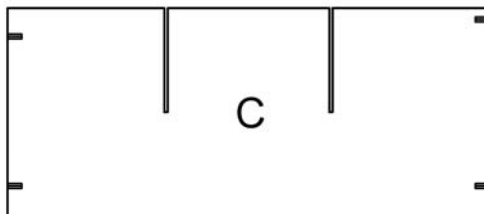
NOTE: FIRST MAKE SURE THAT YOU HAVE ALL OF THE PARTS LISTED ON THIS SHEET. IF YOU ARE MISSING ANY PIECE(S), DO NOT ASSEMBLE THE UNIT. INSTEAD, CALL OUR CUSTOMER SERVICE NUMBER AT: (888) 777-8250. WE WILL BE HAPPY TO ASSIST YOU.



A



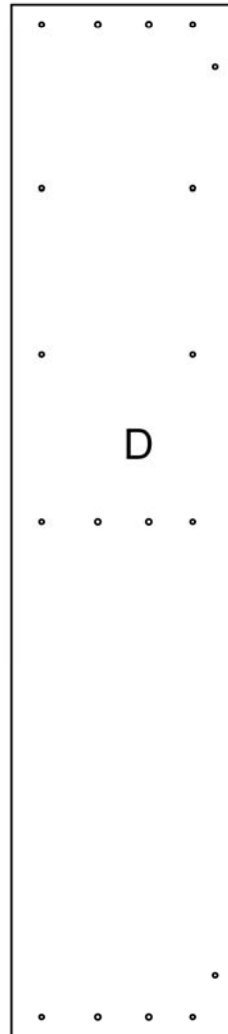
B



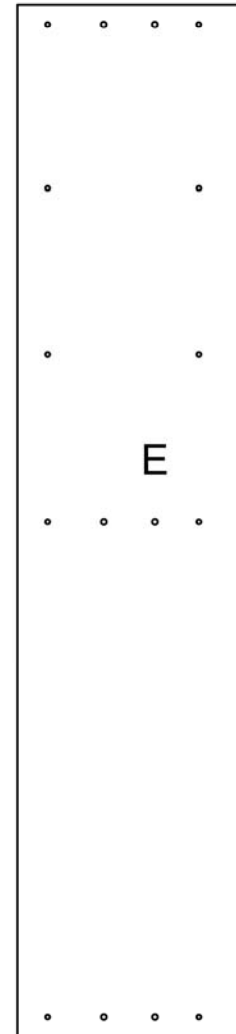
C



F














D



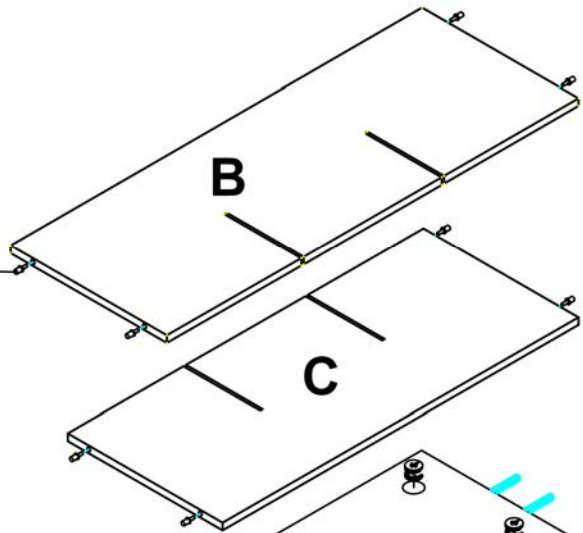
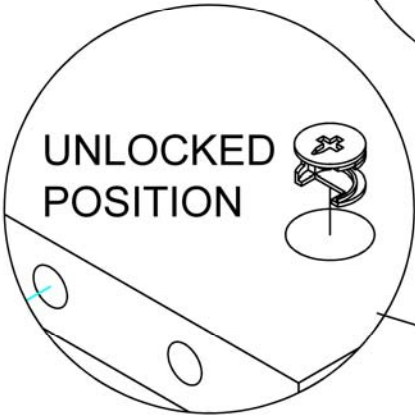
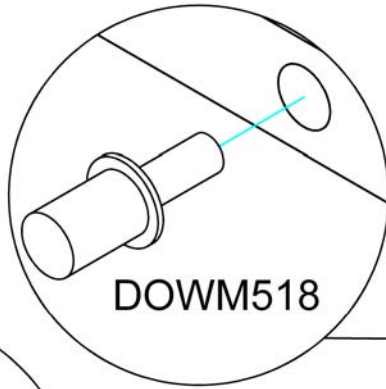
E

1255A-Side/divider	2pcs
1255B-Divider Vertical	2pcs
1255C-Divider Horizontal	2pcs
1255D-Top	1pc
1255E-Bottom	1pc
1255F-Right Side	1pc

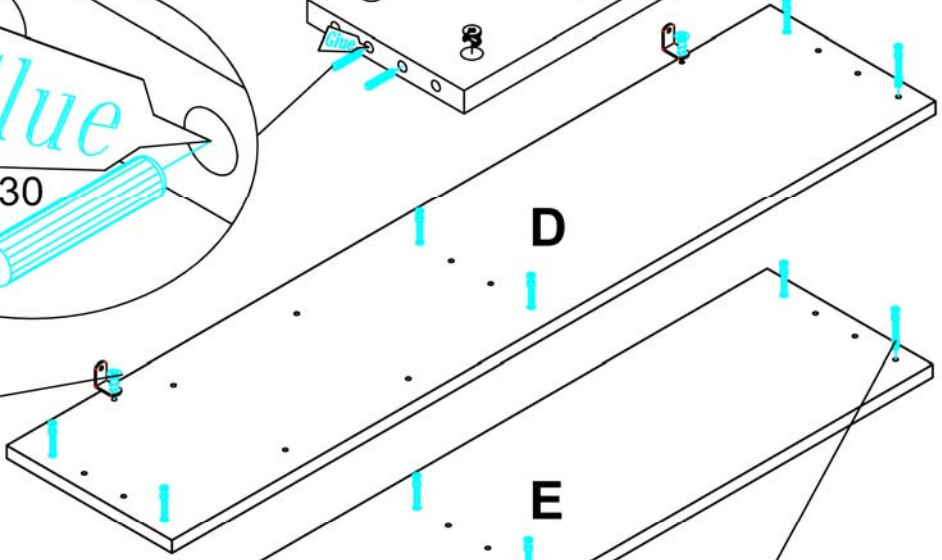
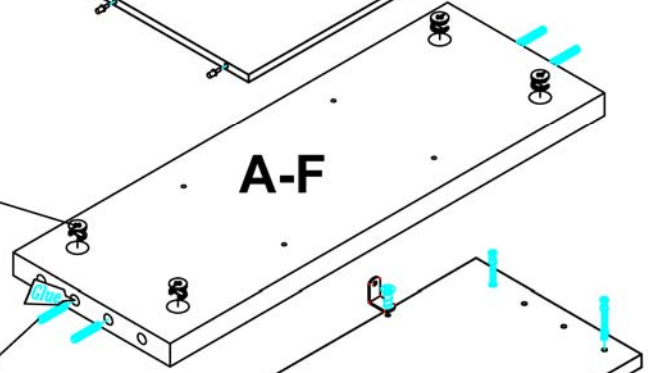
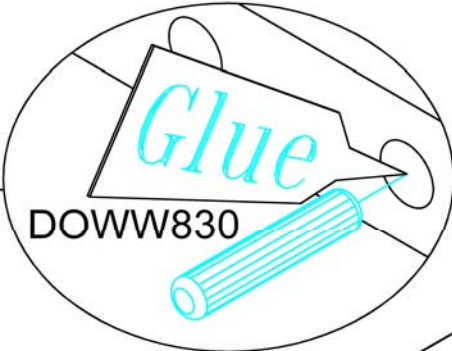
# HARDWARE LIST

HARDWARE	PART #	DESCRIPTION	QTY
	DOM2S16	PIN	2
	DOWW830	WOOD DOWEL	12
	GLUE	GLUE	1
	BM25	METAL BRACKET	4
	DRWINS	DRYWALL INSERT	4
	SHS19Z	WASHER HEAD SCREW	4
	CAMLT16	CAMLOCK	12
	CAMBT16	CAMBOLT	12
	DOWM518	PIN	16
	SFE55Z	EURO SCREW	2
	NAIL25B	NAIL	20

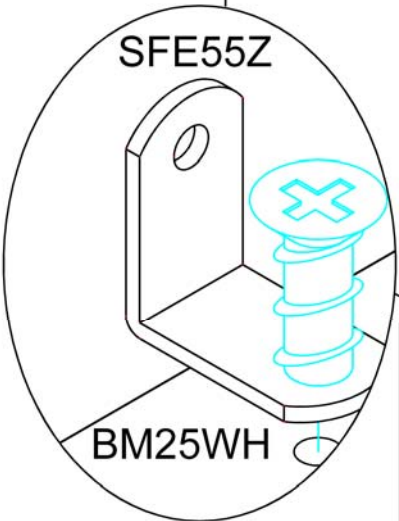
1



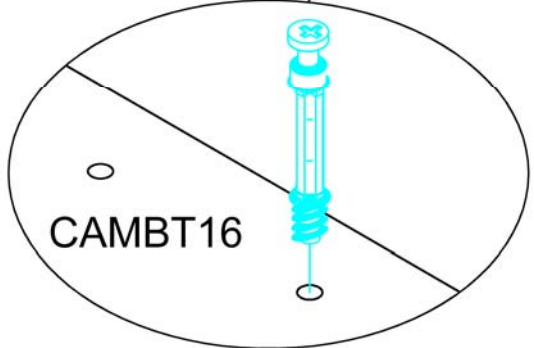
Make sure  
dowels stick  
out no more  
than 1/2 of  
an inch. .



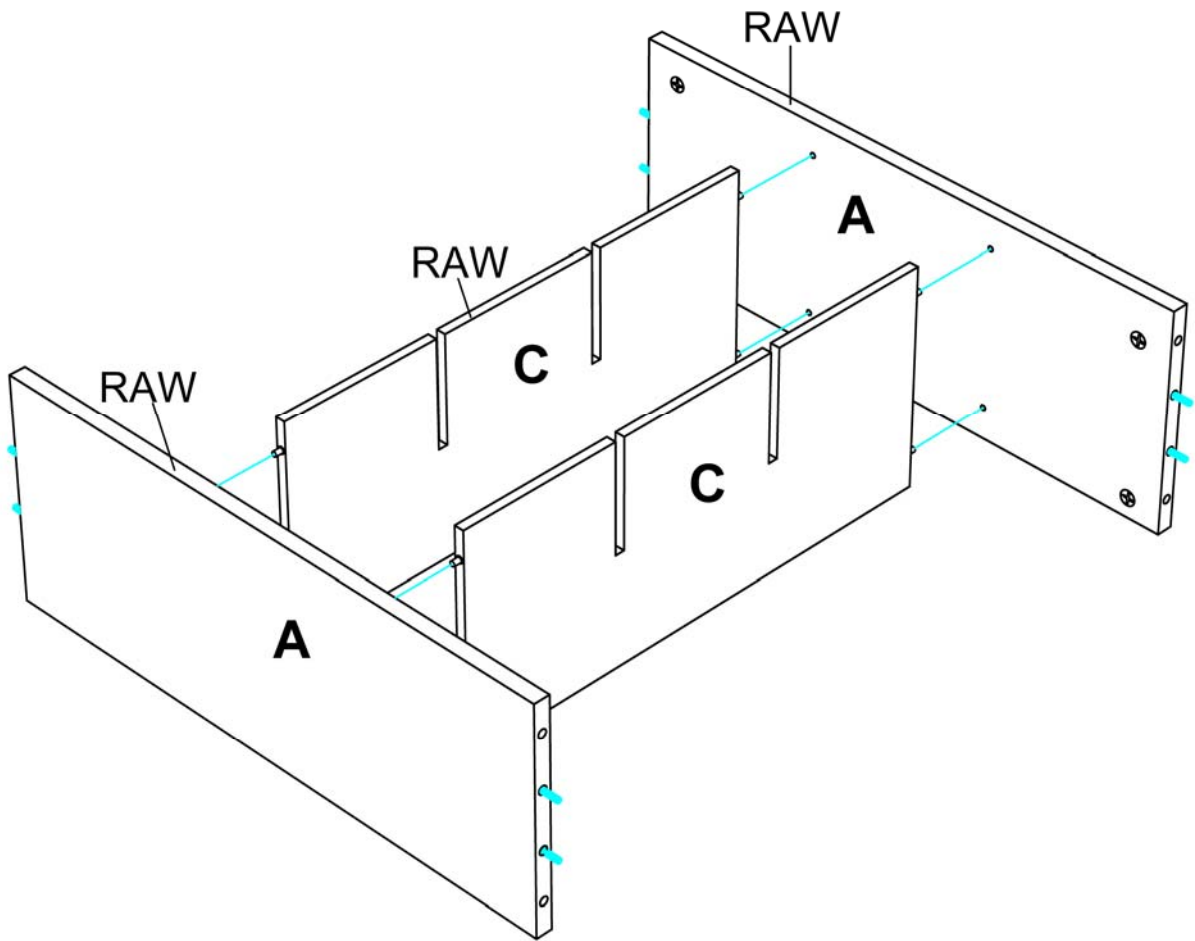
OPTIONAL



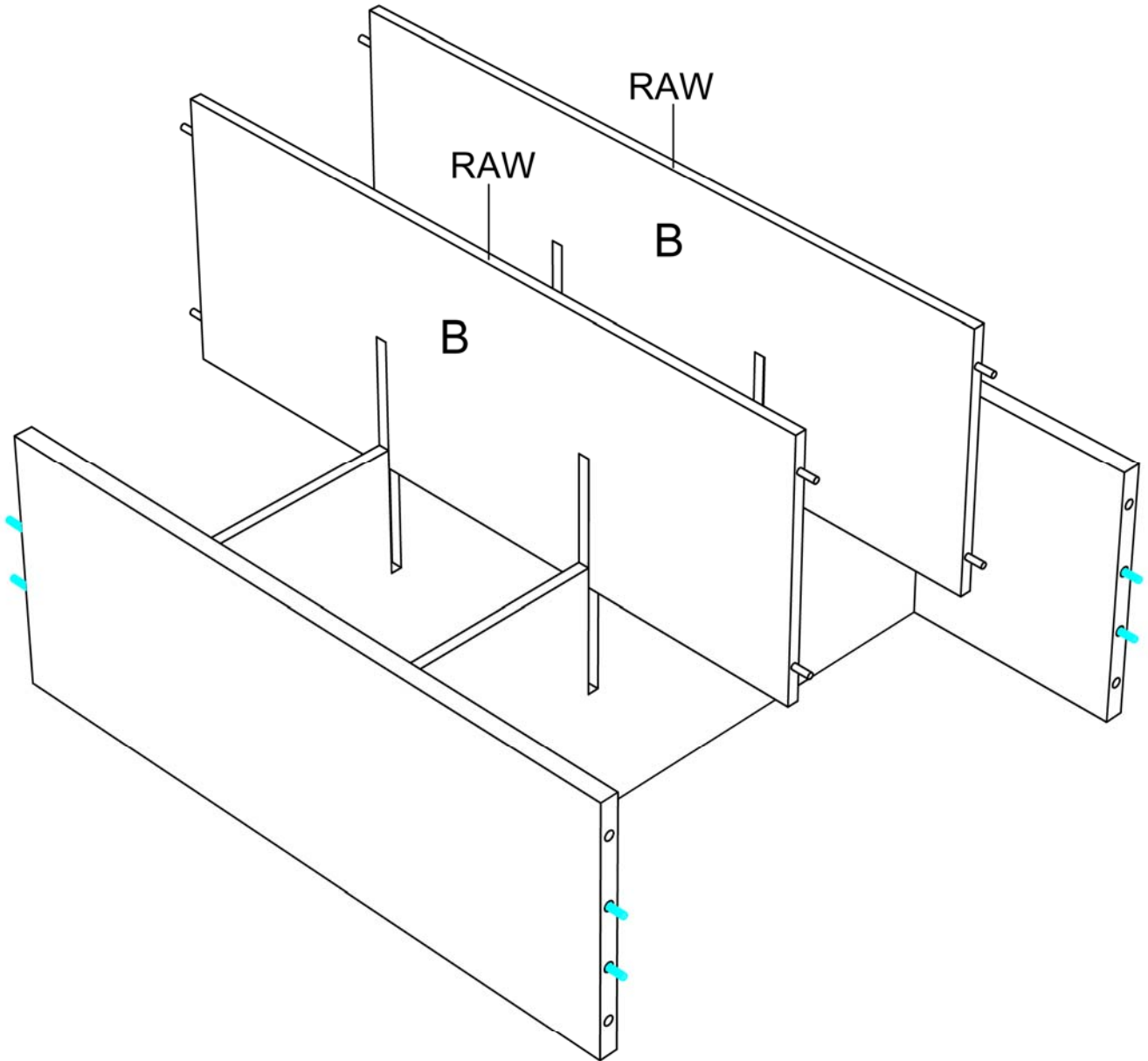
Attach brackets only  
if you are planning  
on mounting unit  
onto a wall.



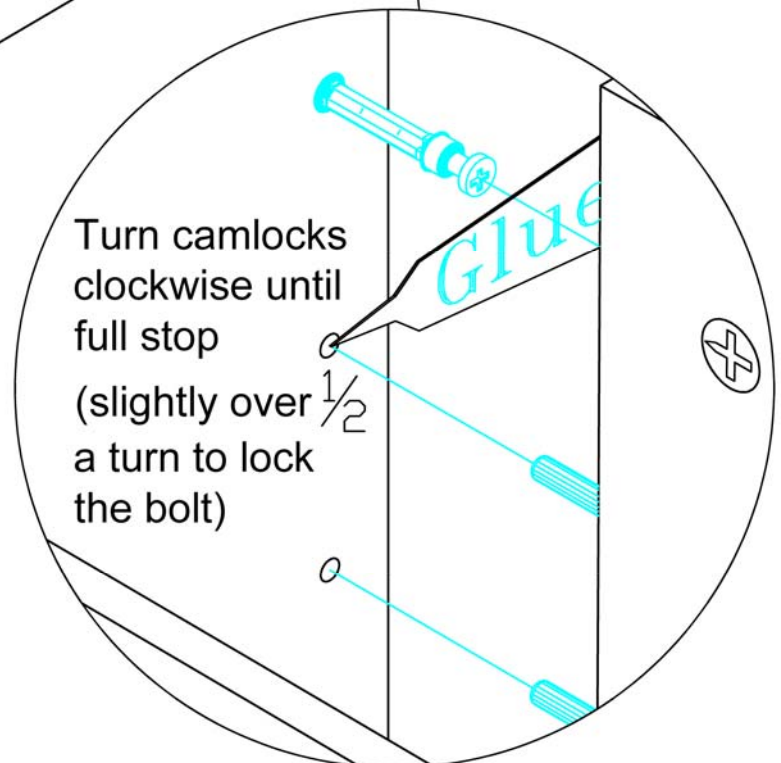
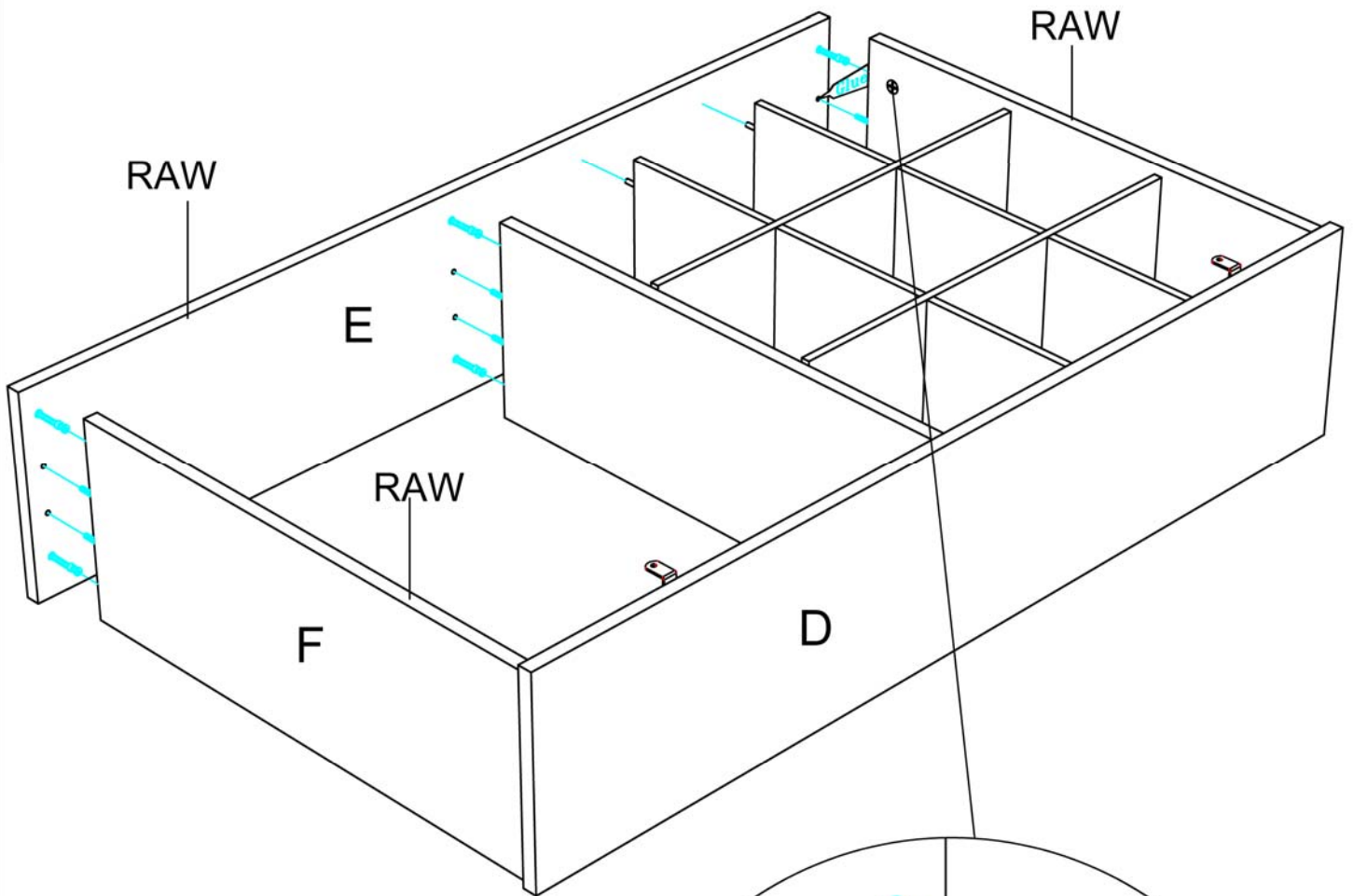
2



3



4

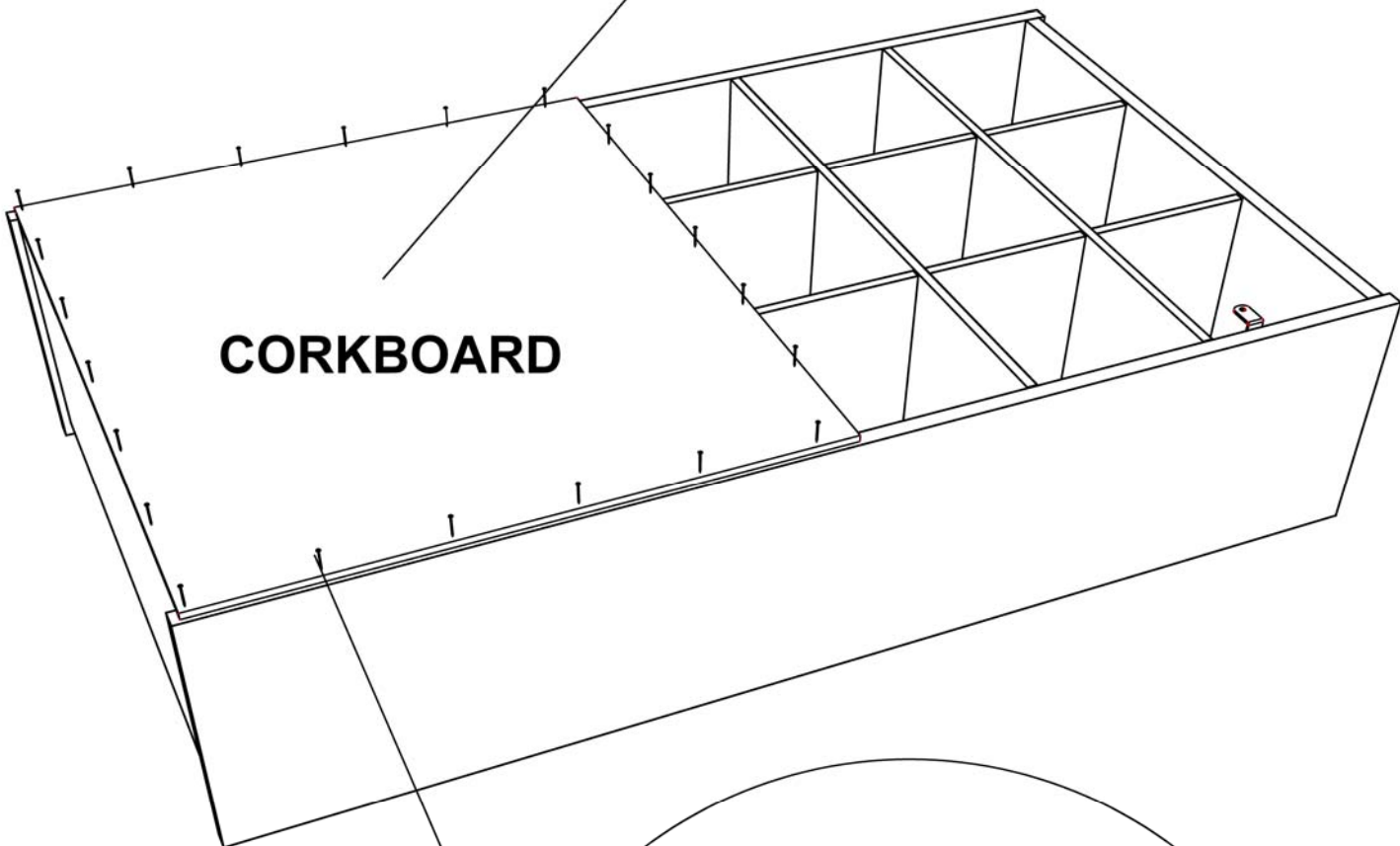
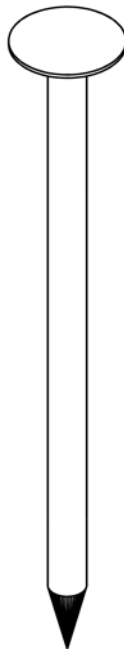


**5**

**OPTIONAL**

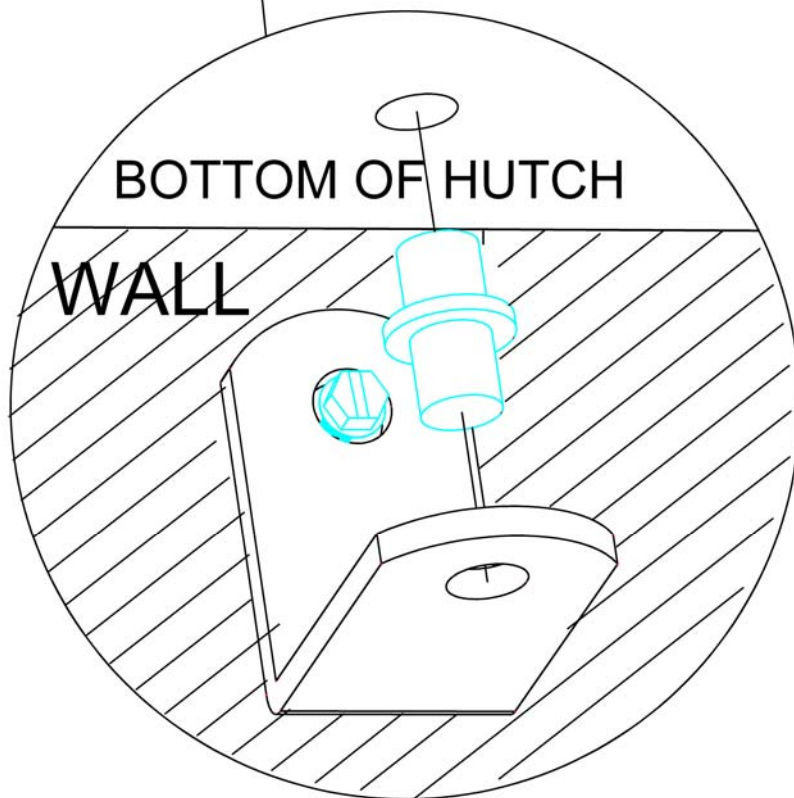
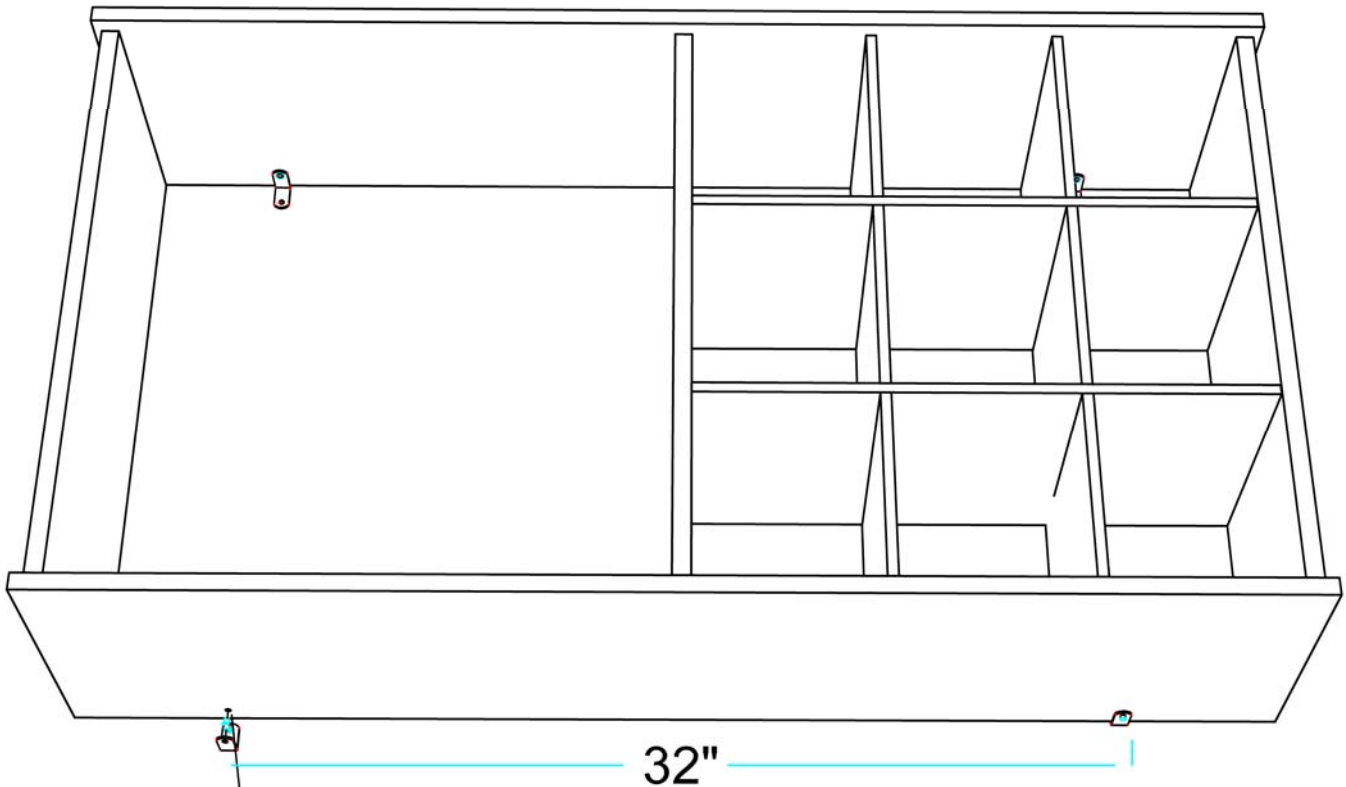
**CORKBOARD**

**NAIL25B**



**6**

Attach angle brackets to the wall, use anchors if studs cannot be utilized. Set pins in the holes of metal brackets. Align holes in top with the pins and lower the unit onto them.



for the most secure attachment drive the screws into the wall studs. If it cannot be utilized, use the self-drilling drywall anchors, included in this package. Follow these instructions.

1. Place #2 Philips screwdriver or (#2 Philips bit) into recess of self- drilling anchor.

2. Press into gypsum wall-board, while turning the anchor clockwise until it is seated flush with the wall.

3. Insert washer head screw with #2 Philips screwdriver.

7

Place the unit in desired position, mark the positions of the angle brackets by tapping a nail or awl through the holes in the brackets into the wall. Then, remove the nail or awl. Attach the unit to the wall through the angle brackets using the washer head screws provided.

