



**IF PARTS ARE MISSING AND OR DEFECTIVE, IF INSTRUCTIONS ARE NOT CLEAR  
OR IF YOU ARE EXPERIENCING PROBLEMS ASSEMBLING OUR PRODUCT.**

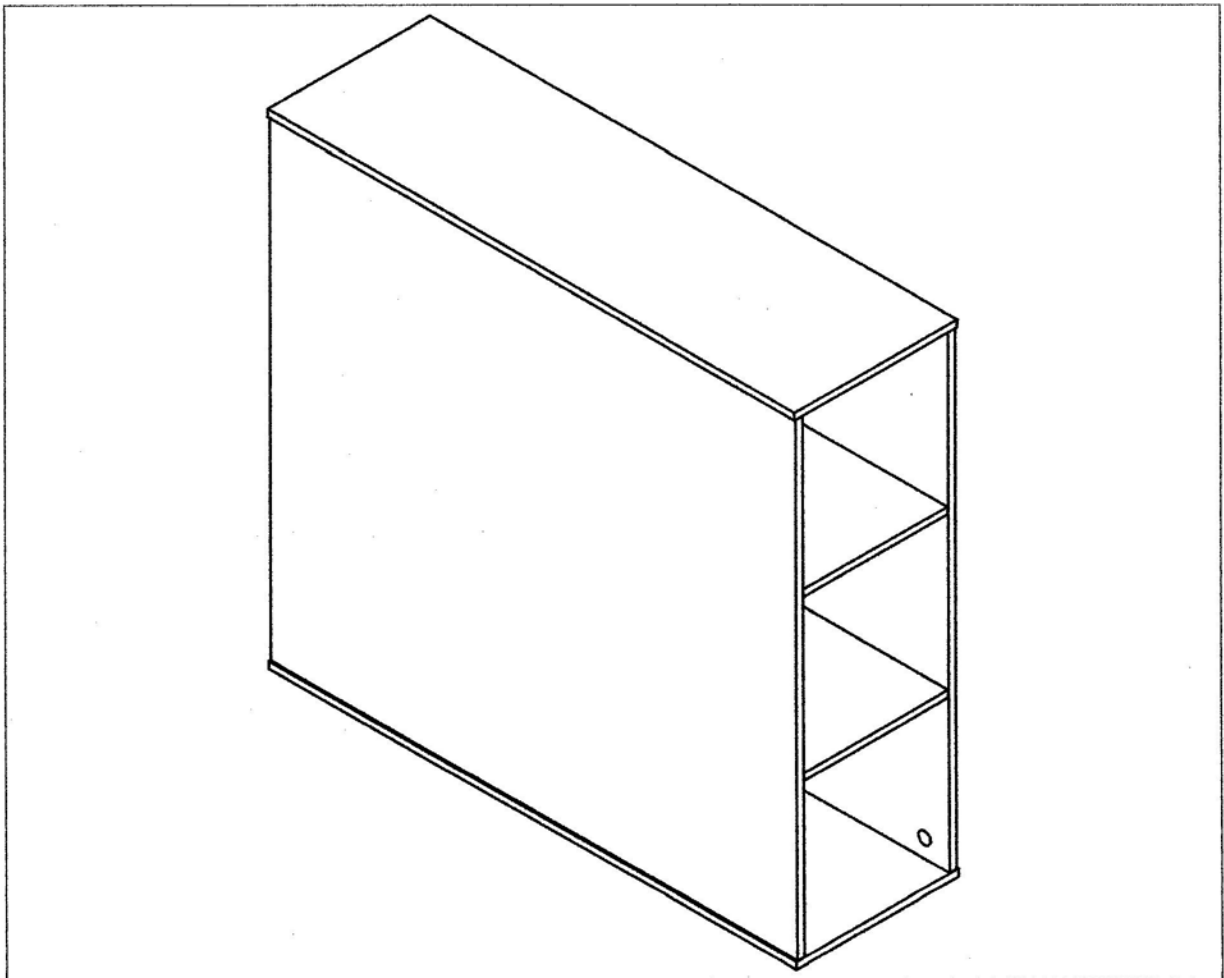
**BEFORE YOU RETURN THE PRODUCT TO THE STORE,  
PLEASE CALL US TOLL FREE FOR CUSTOMER SERVICE ASSISTANCE**

**(888) 777-8250**

**OR SEND US EMAIL AT**

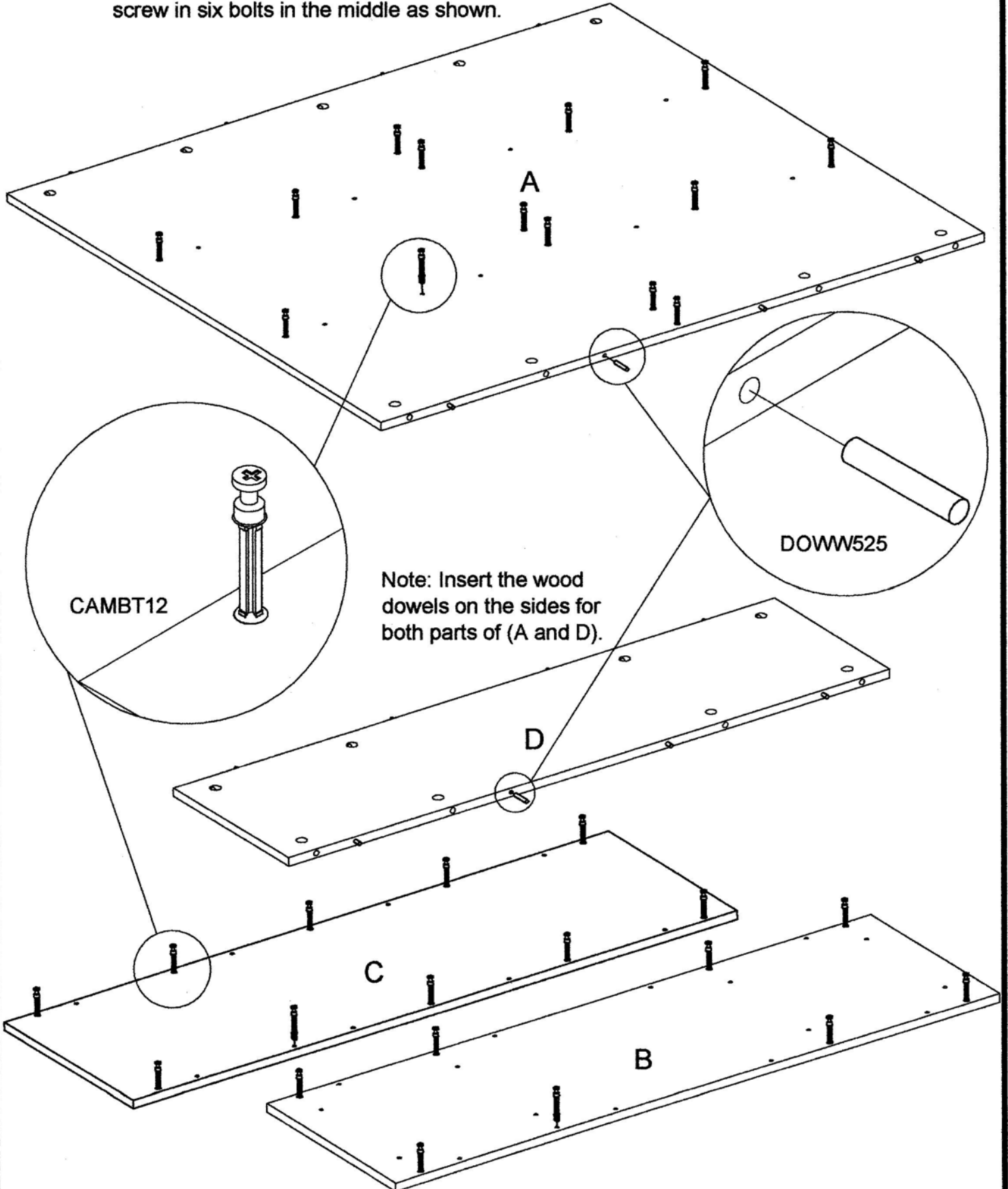
**[help@spartakent.com](mailto:help@spartakent.com)**

**PLEASE HAVE ITEM NUMBER READY, AND A REPRESENTATIVE WILL GLADLY ASSIST YOU**



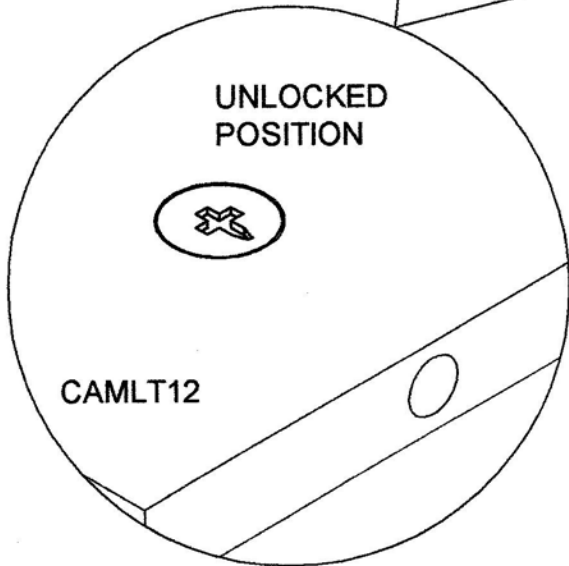
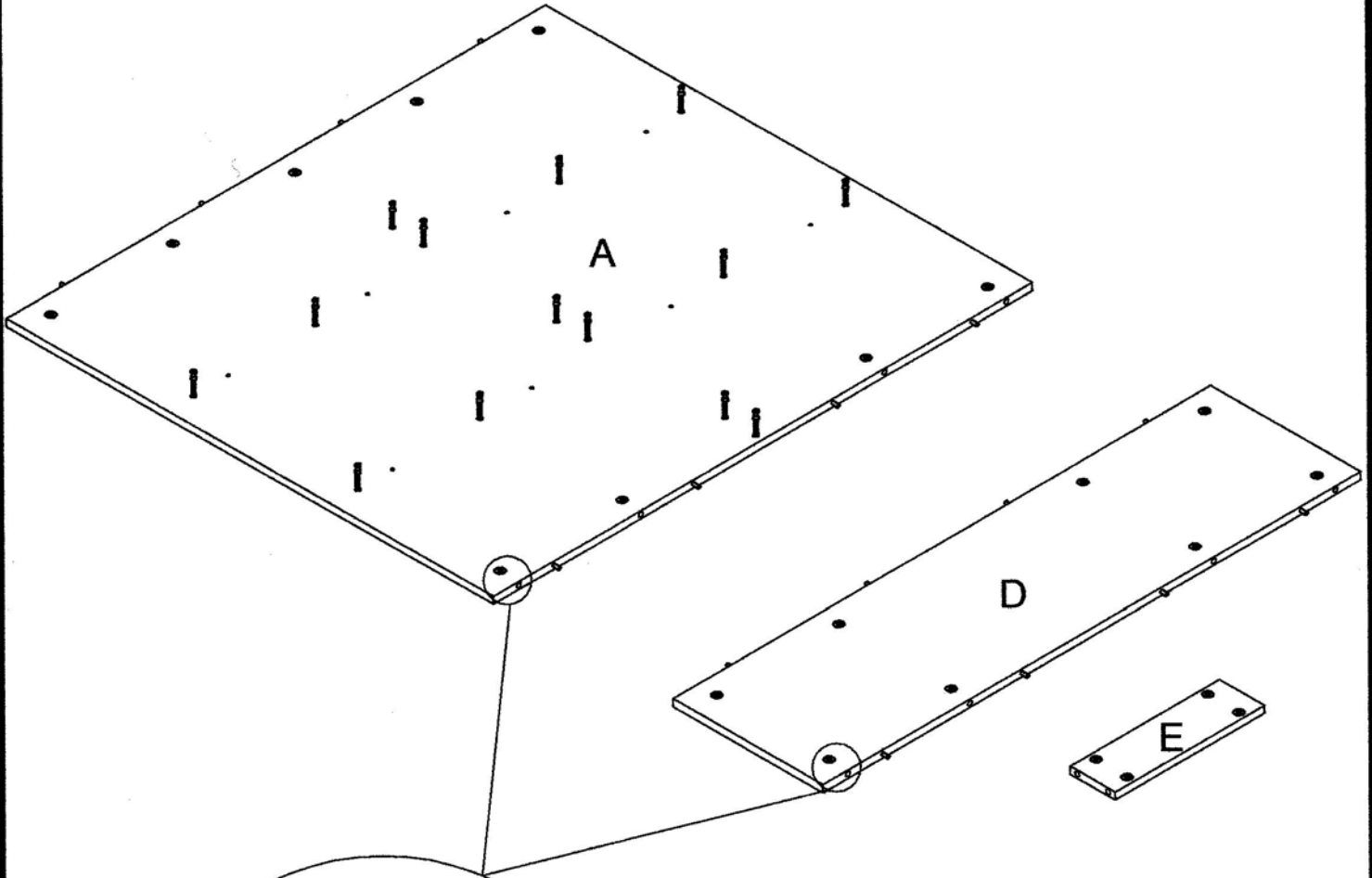
1

Note: Make sure when you screw the bolts on part (A) that you start from one the side by placing a bolt, skipping one hole and placing another bolt. Then repeating the step for the other side. The hole will be for the wood dowels that will be assembled on Sheet # 4. Also, screw in six bolts in the middle as shown.



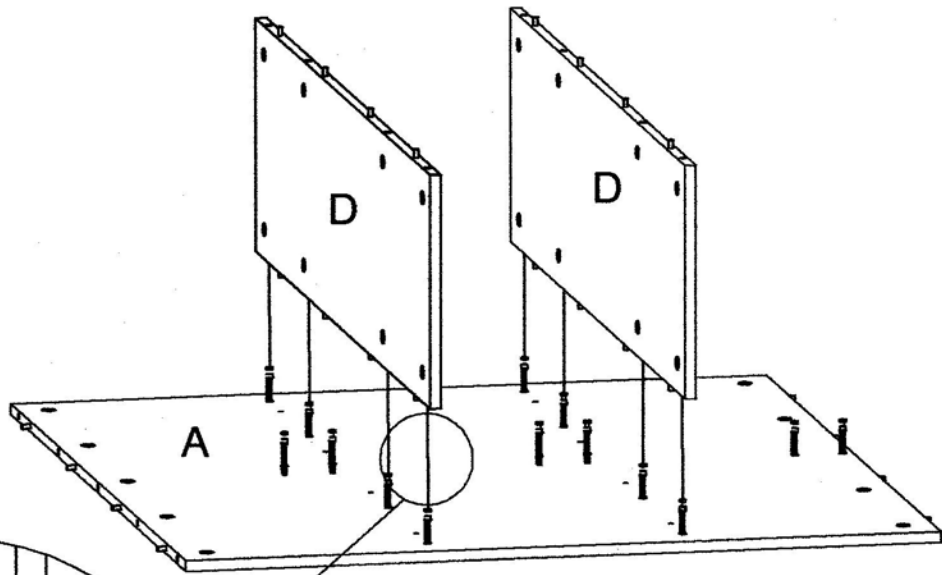
2

Note: When placing all camlocks all around on all parts of (A, D, & E) a total of 46 camlocks all together, make sure the arrow on the camlocks are facing towards the edge of the part as shown to the bottom.

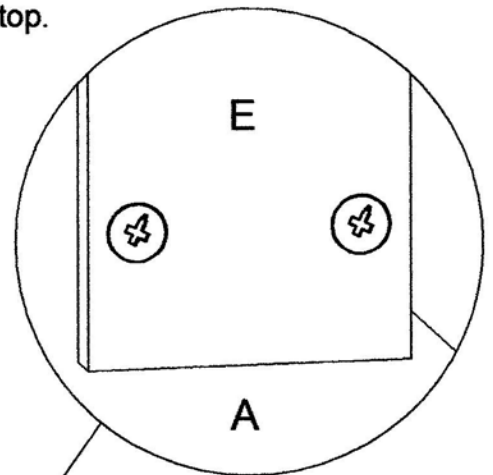
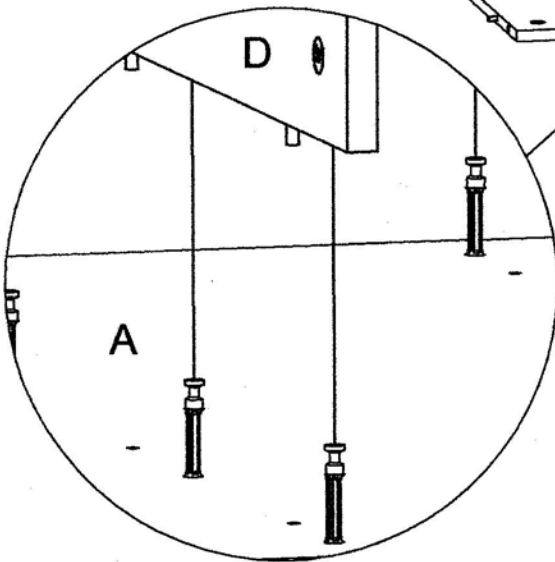


3

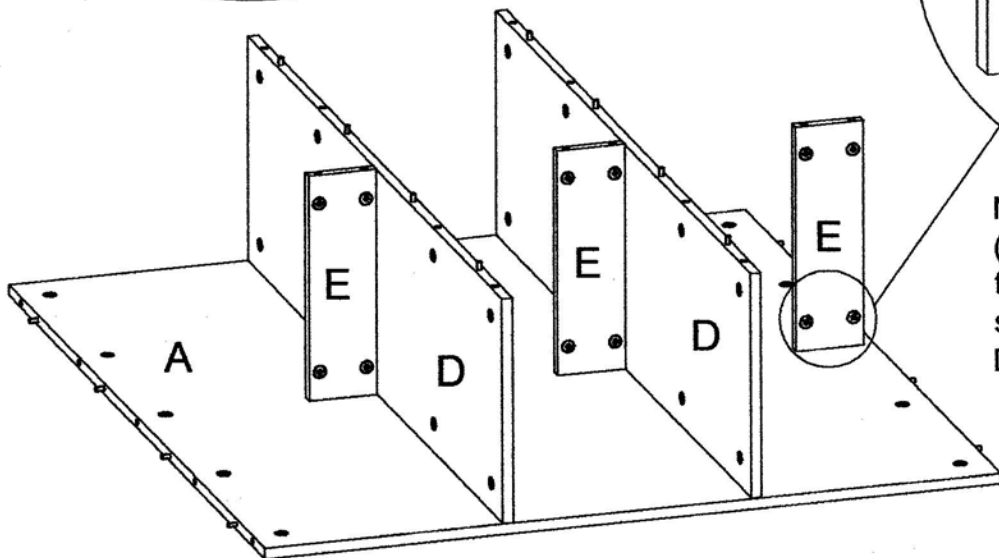
Note: Lay part (A) flat on its side and attach both parts (D) as shown below by securing them with four camlocks for each.



Turn the camlocks a little over half a turn clockwise, until you come to a full stop.

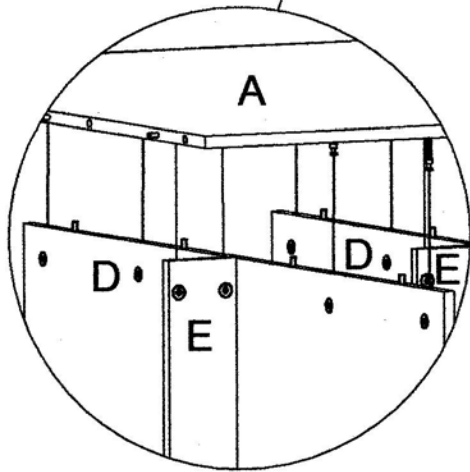
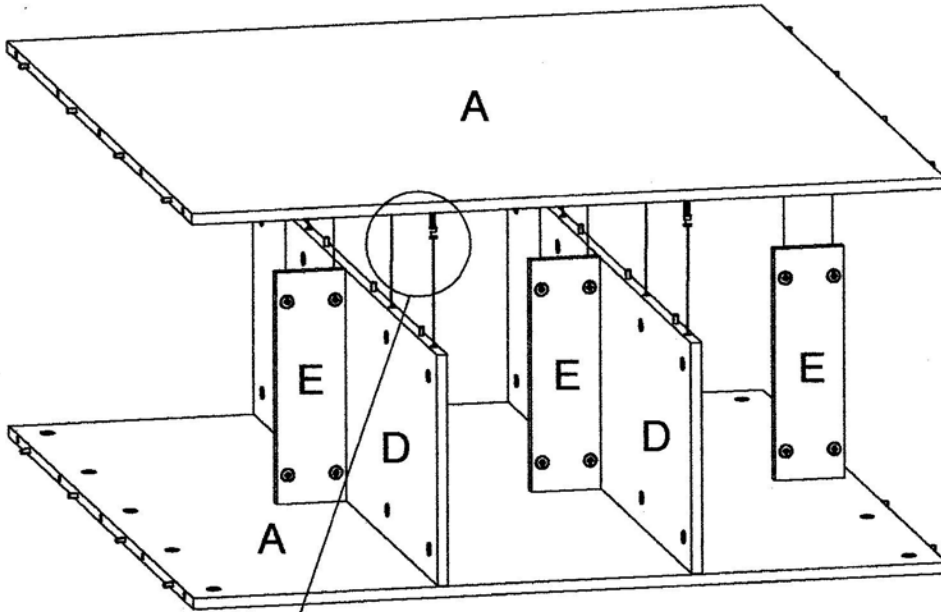


Note: Next, attach parts (E), and secure them with two camlocks for each the same way with parts (A & D).

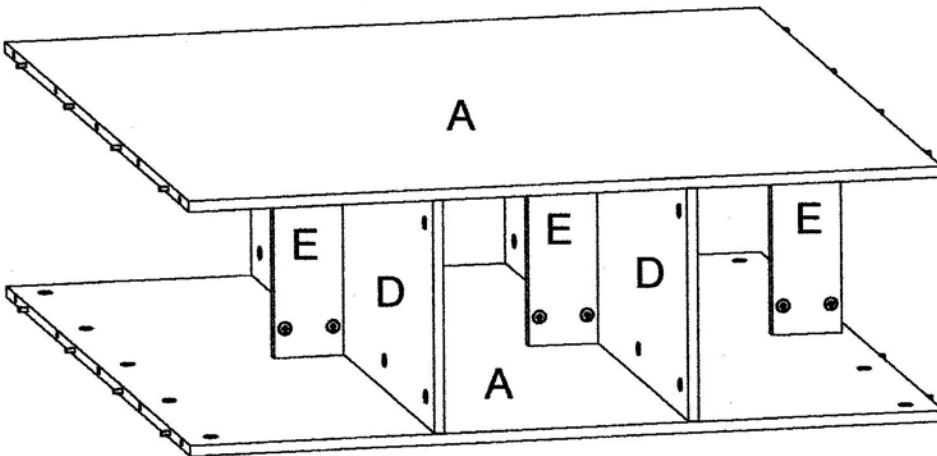


4

Note: While the unit is still in its orientation, place the second part (A) as shown below.

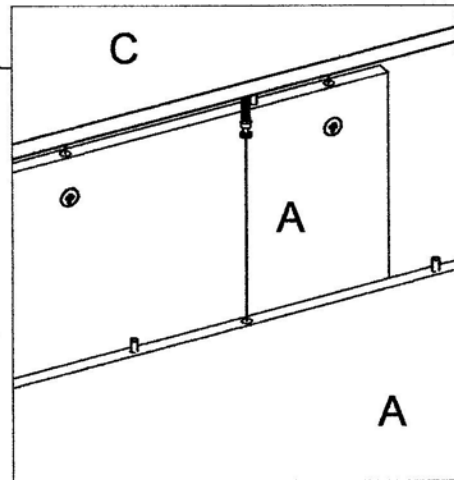
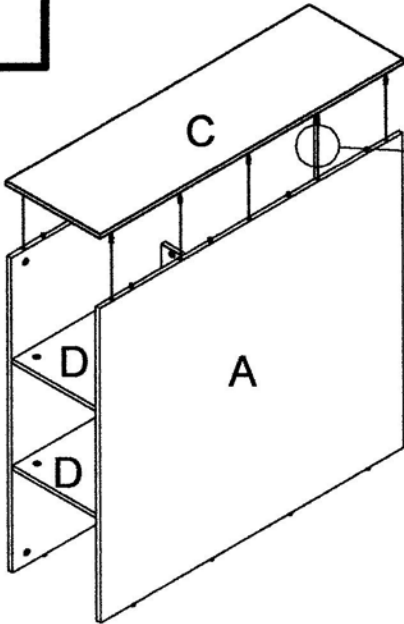


Turn the camlocks a little over half a turn clockwise, until you come to a full stop.



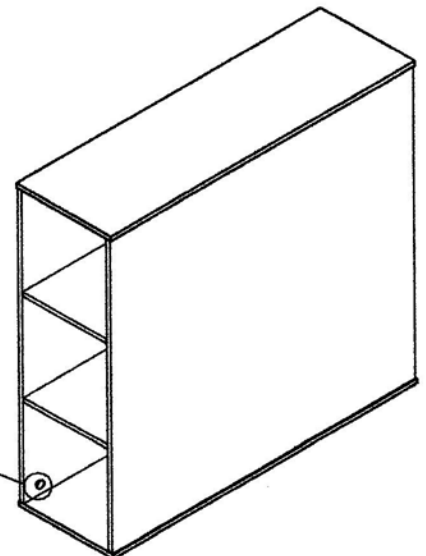
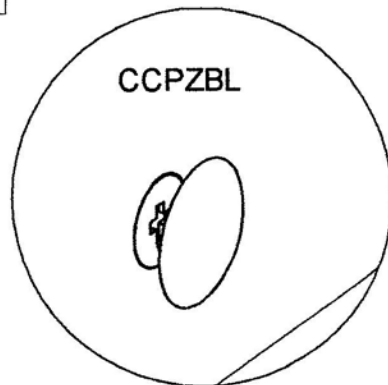
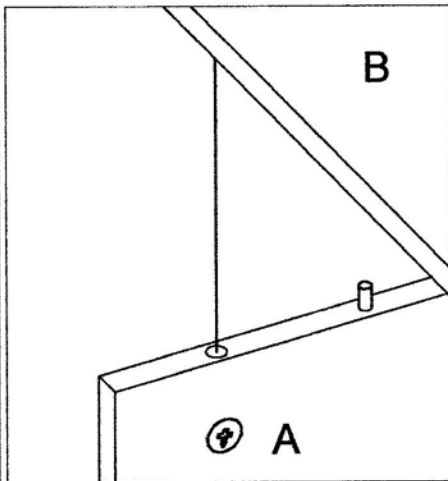
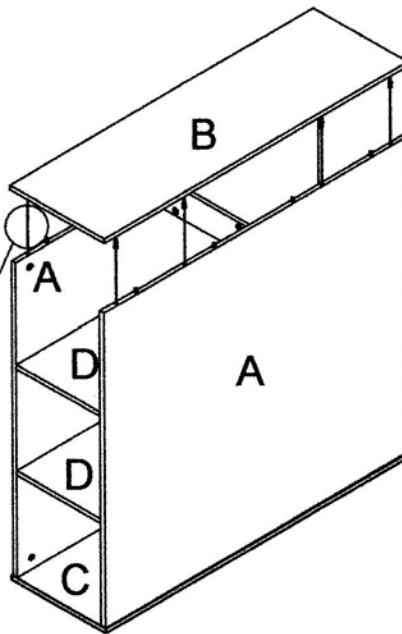
5

Note: Stand the unit upright and attach part (C) to the top end of parts (A) as shown below.



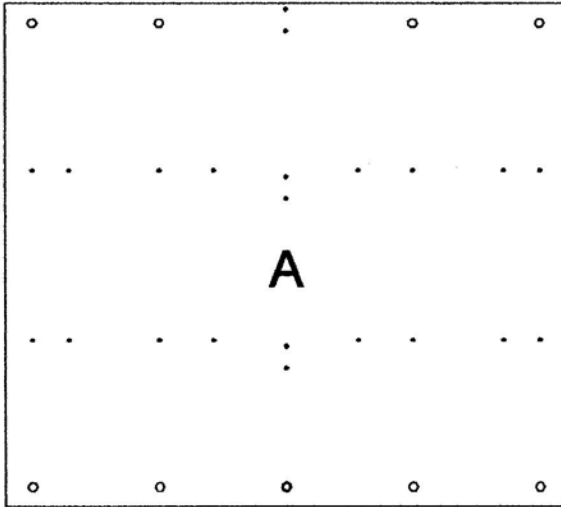
Turn the camlocks a little over half a turn clockwise, until you come to a full stop.

Next, flip the unit so you can attach the top piece (Part B) shown below. This way you will have an easy access to tighten the camlocks.

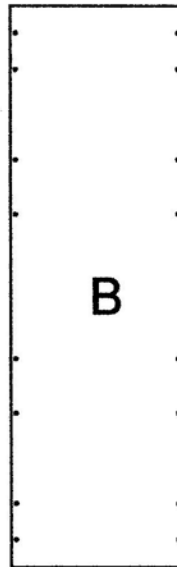


# PARTS IDENTIFICATION

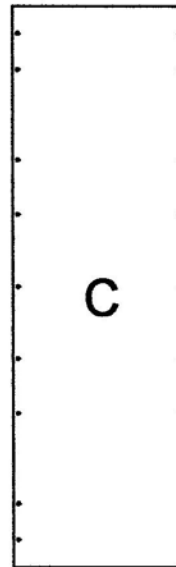
NOTE: FIRST MAKE SURE THAT YOU HAVE ALL OF THE PARTS LISTED ON THIS SHEET. IF YOU ARE MISSING ANY PIECE(S), DO NOT ASSEMBLE THE UNIT. INSTEAD, CALL OUR CUSTOMER SERVICE NUMBER AT: (888) 777-8250. WE WILL BE HAPPY TO ASSIST YOU.



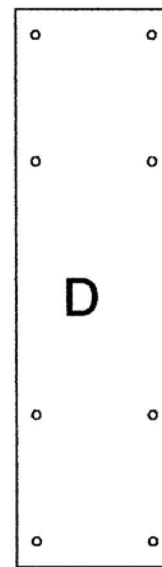
A



B



C



D



E

1145A-Sides

2pcs

1145B-Top

1pc

1145C-Bottom

1pc




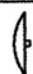

1145D-Shelf

2pcs

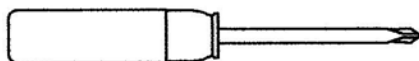
1145E-Support

3pcs

**PARTS ARE USUALLY MARKED ON THE RAW EDGE.**

HARDWARE	PART #	DESCRIPTION	QTY
	CAMLT12	CAMLOCK	32
	CAMBT12	BOLT	32
	DOWW525	WOOD DOWEL	16
	CCPZBL	CAMLOCK COVER CAP	16
	SPB1025BL	#10 x 1" PAN HEAD SCREW	8

TOOL REQUIRED



PHILLIPS SCREWDRIVER